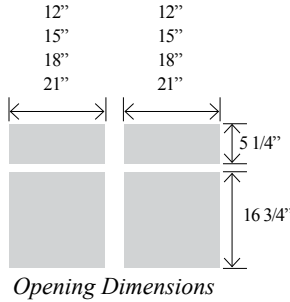
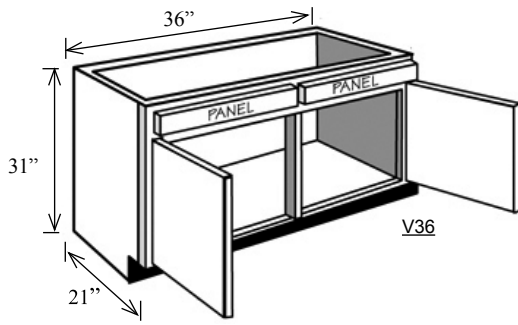


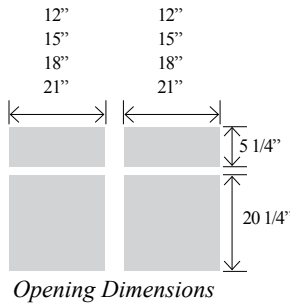
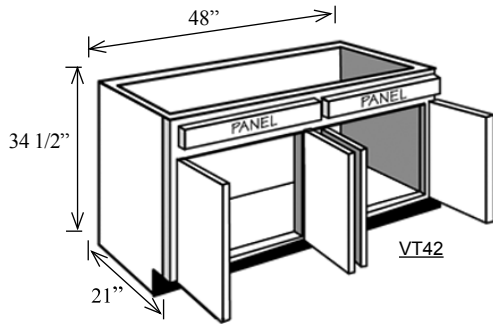
Bathroom Vanity Cabinets



Opening widths per left and right side.

Vanity Cabinets

Item No.	Width	Height	Depth	Doors	Opening W	Opening H	Center Stile W
V30	30"	31"	21"	2	12"	5 1/4" / 16 3/4"	3"
V36	36"	31"	21"	2	15"	5 1/4" / 16 3/4"	3"
V42	42"	31"	21"	2	18"	5 1/4" / 16 3/4"	3"
V48	48"	31"	21"	4	21"	5 1/4" / 16 3/4"	3"



Opening widths per left and right side.

Tall Vanity Cabinets

Item No.	Width	Height	Depth	Doors	Opening W	Opening H	Center Stile W
VT30	30"	34 1/2"	21"	2	12"	5 1/4" / 20 1/4"	3"
VT36	36"	34 1/2"	21"	2	15"	5 1/4" / 20 1/4"	3"
VT42	42"	34 1/2"	21"	2	18"	5 1/4" / 20 1/4"	3"
VT48	48"	34 1/2"	21"	4	21"	5 1/4" / 20 1/4"	3"

- Two false drawer fronts
- 48"w vanities have 4 doors
- Specify finished sides left, right or both

PRICE VARIABLES

- Cabinet**
- All Furniture Board Box. ▲-11%
 - Plywood Sides ★-5%
 - Full Overlay No Change
 - Same Species Interior..... Add 30%
 - Finished Side Wall Cabinet.....\$80
 - Finished Side Base Cabinet.....\$128
 - Finished Side Tall Cabinet.....\$360

- Wood**
- Maple Wood No Change
 - Oak Wood No Change
 - Cherry Wood No Change

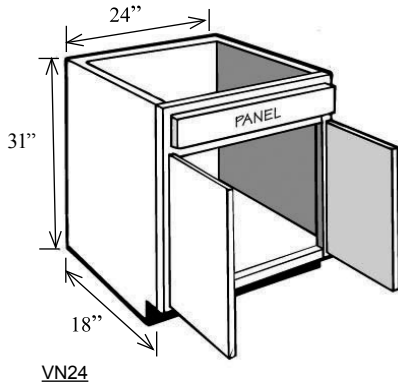
- Finish**
- Stain with GlazeAdd 8%
 - Paint.....Add 8%
 - Paint with GlazeAdd 15%
 - Rubbed EdgesAdd 15%
 - Unfinished-28%

- Doors**
- Glass Doors/ Same Species Interior.....Add 35%
 - Glass Mullion Door\$42 per door
 - Arch Door.....\$22 per door
 - Cathedral Door.....\$22 per door
 - Soft Close Door\$20 per door

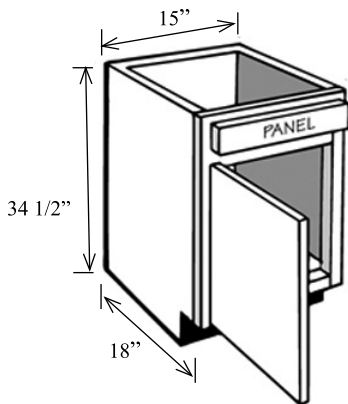
CABINET PRICES

Item No.	Level 1	Level 2	Level 3	Level 4	Level 5
V30	540	560	588	644	692
V36	568	588	620	680	724
V42	604	628	660	724	776
V48	696	724	764	836	892
VT30	620	644	680	744	796
VT36	652	676	712	780	832
VT42	696	724	764	836	892
VT48	800	832	876	960	1024

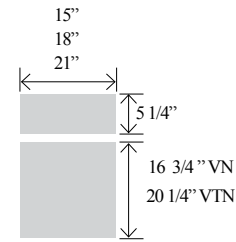
Vanity Cabinets



VN24



VTN15



Opening Dimensions

Vanity Cabinets

Item No.	Width	Height	Depth	Doors	Opening W	Opening H
VN15L	15"	31"	18"	1	12"	5 1/4" / 16 3/4"
VN18L	18"	31"	18"	1	15"	5 1/4" / 16 3/4"
VN15R	15"	31"	18"	1	12"	5 1/4" / 16 3/4"
VN18R	18"	31"	18"	1	15"	5 1/4" / 16 3/4"
VN24	24"	31"	18"	2	21"	5 1/4" / 16 3/4"
VN24L	24"	31"	18"	1	21"	5 1/4" / 16 3/4"
VN24R	24"	31"	18"	1	21"	5 1/4" / 16 3/4"

Tall Vanity Cabinets

Item No.	Width	Height	Depth	Doors	Opening W	Opening H
VTN15L	15"	34 1/2"	18"	1	12"	5 1/4" / 20 1/4"
VTN18L	18"	34 1/2"	18"	1	15"	5 1/4" / 20 1/4"
VTN15R	15"	34 1/2"	18"	1	12"	5 1/4" / 20 1/4"
VTN18R	18"	34 1/2"	18"	1	15"	5 1/4" / 20 1/4"
VTN24	24"	34 1/2"	18"	2	21"	5 1/4" / 20 1/4"
VTN24L	24"	34 1/2"	18"	1	21"	5 1/4" / 20 1/4"
VTN24R	24"	34 1/2"	18"	1	21"	5 1/4" / 20 1/4"

- One false drawer front
- Specify hinge left or hinge right for one door cabinet
- Specify finished sides left, right or both

CABINET PRICES					
Item No.	Level 1	Level 2	Level 3	Level 4	Level 5
VN15L	396	412	436	476	508
VN15R	396	412	436	476	508
VN18L	408	424	448	488	524
VN18R	408	424	448	488	524
VN24	428	444	468	512	548
VN24L	428	444	468	512	548
VN24R	428	444	468	512	548
VTN15L	460	476	500	548	588
VTN15R	460	476	500	548	588
VTN18L	472	488	516	564	604
VTN18R	472	488	516	564	604
VTN24	488	508	536	588	628
VTN24L	488	508	536	588	628
VTN24R	488	508	536	588	628

PRICE VARIABLES

Cabinet

- All Furniture Board Box. ▲-11%
- Plywood Sides ★-5%
- Full Overlay No Change
- Same Species Interior. Add 30%
- Finished Side Wall Cabinet. \$80
- Finished Side Base Cabinet. \$128
- Finished Side Tall Cabinet. \$360

Wood

- Maple Wood No Change
- Oak Wood No Change
- Cherry Wood No Change

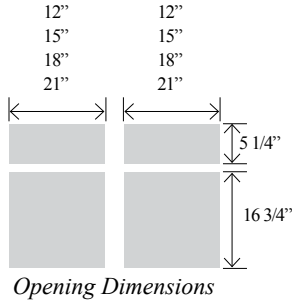
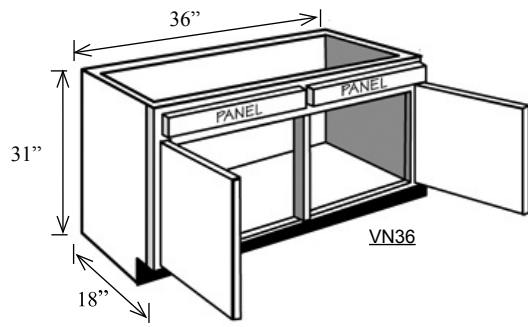
Finish

- Stain with Glaze Add 8%
- Paint. Add 8%
- Paint with Glaze Add 15%
- Rubbed Edges Add 15%
- Unfinished-28%

Doors

- Glass Doors/ Same Species Interior..... Add 35%
- Glass Mullion Door \$42 per door
- Arch Door \$22 per door
- Cathedral Door \$22 per door
- Soft Close Door \$20 per door

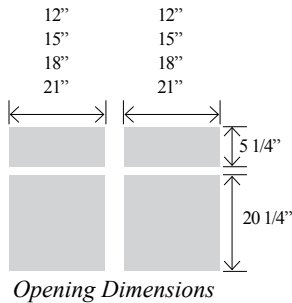
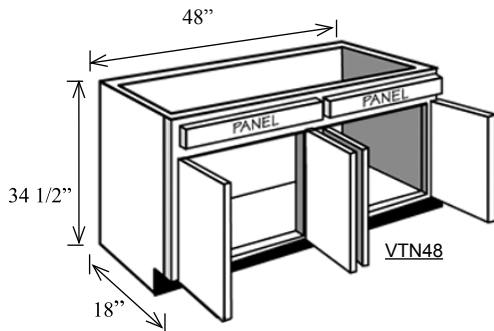
Narrow Vanity Cabinets



Opening widths per left and right side.

Vanity Cabinets

Item No.	Width	Height	Depth	Doors	Opening W	Opening H	Center Stile W
VN30	30"	31"	18"	2	12"	5 1/4" / 16 3/4"	3"
VN36	36"	31"	18"	2	15"	5 1/4" / 16 3/4"	3"
VN42	42"	31"	18"	4	18"	5 1/4" / 16 3/4"	3"
VN48	48"	31"	18"	4	21"	5 1/4" / 16 3/4"	3"



Opening widths per left and right side.

Tall Vanity Cabinets

Item No.	Width	Height	Depth	Doors	Opening W	Opening H	Center Stile W
VTN30	30"	34 1/2"	18"	2	12"	5 1/4" / 20 1/4"	3"
VTN36	36"	34 1/2"	18"	2	15"	5 1/4" / 20 1/4"	3"
VTN42	42"	34 1/2"	18"	2	18"	5 1/4" / 20 1/4"	3"
VTN48	48"	34 1/2"	18"	4	21"	5 1/4" / 20 1/4"	3"

- Two false drawer fronts
- 8" w vanities have 4 drawers
- Specify finished sides left, right or both

PRICE VARIABLES

- Cabinet**
- All Furniture Board Box. ▲-11%
 - Plywood Sides ★-5%
 - Full Overlay No Change
 - Same Species Interior..... Add 30%
 - Finished Side Wall Cabinet.....\$80
 - Finished Side Base Cabinet.....\$128
 - Finished Side Tall Cabinet.....\$360

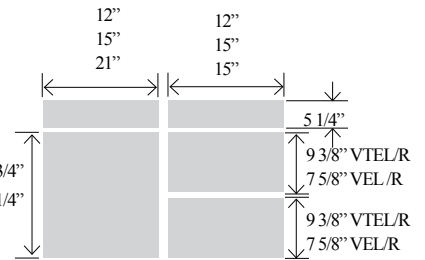
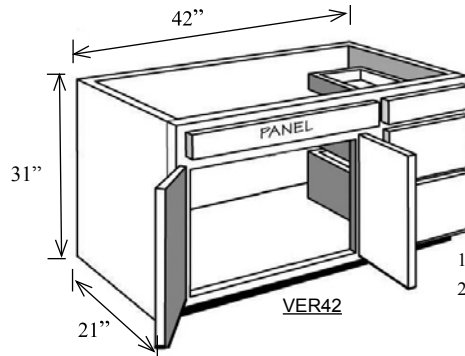
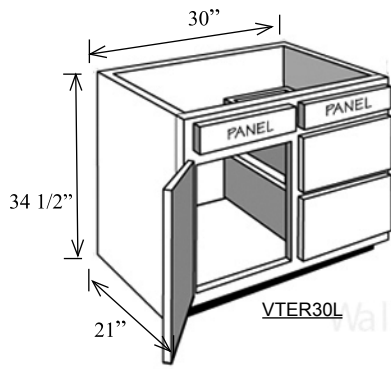
- Wood**
- Maple Wood No Change
 - Oak Wood No Change
 - Cherry Wood No Change

- Finish**
- Stain with GlazeAdd 8%
 - Paint.....Add 8%
 - Paint with GlazeAdd 15%
 - Rubbed EdgesAdd 15%
 - Unfinished-28%

- Doors**
- Glass Doors/ Same Species Interior.....Add 35%
 - Glass Mullion Door\$42 per door
 - Arch Door.....\$22 per door
 - Cathedral Door.....\$22 per door
 - Soft Close Door\$20 per door

CABINET PRICES					
Item No.	Level 1	Level 2	Level 3	Level 4	Level 5
VN30	552	572	604	660	704
VN36	576	596	628	688	736
VN42	608	632	664	728	780
VN48	748	776	816	896	956
VTN30	632	656	692	756	808
VTN36	660	684	720	788	844
VTN42	700	728	768	840	896
VTN48	860	892	940	1028	1100

Combo Vanities



Opening dimensions

- Two false drawer fronts on 30"W & 36"W
- Two 6"H drawers on VEL and VER
- Two 8"H drawers on VTEL and VTER
- Specify finished sides left, right or both
- Three Drawers on 42"W, 4"h top drawer
- One false drawer front on 42"W
- Specify hinge left or hinge right for one door cabinet
- Specify finished sides left, right or both

Vanity Cabinets

Item No.	Width	Height	Depth	Doors	Drawers	Opening W	Opening H
VEL30L	30"	31"	21"	1	2	12"/12"	5 1/4" / 16 3/4"
VEL36L	36"	31"	21"	1	2	15"/15"	5 1/4" / 16 3/4"
VEL30R	30"	31"	21"	1	2	12"/12"	5 1/4" / 16 3/4"
VEL36R	36"	31"	21"	1	2	15"/15"	5 1/4" / 16 3/4"
VEL42	42"	31"	21"	2	3	15"/21"	5 1/4" / 16 3/4"
VER30L	30"	31"	21"	1	2	12"/12"	5 1/4" / 16 3/4"
VER36L	36"	31"	21"	1	2	15"/15"	5 1/4" / 16 3/4"
VER30R	30"	31"	21"	1	2	12"/12"	5 1/4" / 16 3/4"
VER36R	36"	31"	21"	1	2	15"/15"	5 1/4" / 16 3/4"
VER42	42"	31"	21"	2	3	21"/15"	5 1/4" / 16 3/4"

Tall Vanity Cabinets

Item No.	Width	Height	Depth	Doors	Drawers	Opening W	Opening H
VTEL30L	30"	34 1/2"	21"	1	2	12"/12"	5 1/4" / 20 1/4"
VTEL36L	36"	34 1/2"	21"	1	2	15"/15"	5 1/4" / 20 1/4"
VTEL30R	30"	34 1/2"	21"	1	2	12"/12"	5 1/4" / 20 1/4"
VTEL36R	36"	34 1/2"	21"	1	2	15"/15"	5 1/4" / 20 1/4"
VTEL42	42"	34 1/2"	21"	2	3	15"/21"	5 1/4" / 20 1/4"
VTER30L	30"	34 1/2"	21"	1	2	12"/12"	5 1/4" / 20 1/4"
VTER36L	36"	34 1/2"	21"	1	2	15"/15"	5 1/4" / 20 1/4"
VTER30R	30"	34 1/2"	21"	1	2	12"/12"	5 1/4" / 20 1/4"
VTER36R	36"	34 1/2"	21"	1	2	15"/15"	5 1/4" / 20 1/4"
VTER42	42"	34 1/2"	21"	2	3	21"/15"	5 1/4" / 20 1/4"

CABINET PRICES					
Item No.	Level 1	Level 2	Level 3	Level 4	Level 5
VEL30L	852	884	932	1020	1088
VEL30R	852	884	932	1020	1088
VEL36L	920	956	1004	1100	1176
VEL36R	920	956	1004	1100	1176
VEL42	980	1020	1072	1176	1256
VER30L	852	884	932	1020	1088
VER30R	852	884	932	1020	1088
VER36L	920	956	1004	1100	1176
VER36R	920	956	1004	1100	1176
VER42	980	1020	1072	1176	1256
VTEL30L	976	1016	1068	1172	1252
VTEL30R	976	1016	1068	1172	1252
VTEL36L	1056	1096	1152	1264	1352
VTEL36R	1056	1096	1152	1264	1352
VTEL42	1128	1172	1232	1348	1444
VTER30L	976	1016	1068	1172	1252
VTER30R	976	1016	1068	1172	1252
VTER36L	1056	1096	1152	1264	1352
VTER36R	1056	1096	1152	1264	1352
VTER42	1128	1172	1232	1348	1444

VER = drawers right
VEL = drawers left

PRICE VARIABLES

Cabinet

- All Furniture Board Box. ▲ -1%
- Plywood Sides . ★ -5%
- Full Overlay No Change
- Same Species Interior. Add 30%
- Finished Side Wall Cabinet \$80
- Finished Side Base Cabinet \$128
- Finished Side Tall Cabinet. \$360

Wood

- Maple Wood No Change
- Oak Wood No Change
- Cherry Wood No Change

Finish

- Stain with Glaze Add 8%
- Paint. Add 8%
- Paint with Glaze Add 15%
- Rubbed Edges Add 15%
- Unfinished -28%

Doors

- Glass Doors/ Same Species Interior.....Add 35%
- Glass Mullion Door \$42 per door
- Arch Door \$22 per door
- Cathedral Door \$22 per door
- Soft Close Door \$20 per door

Drawer

- Upgraded 5/8 Maple Drw Box \$80 per drawer

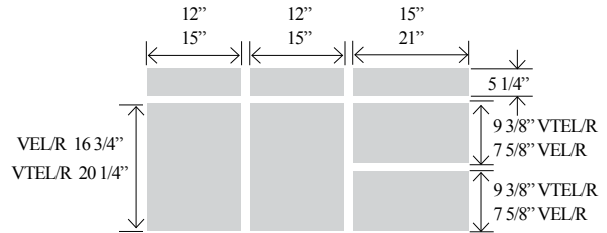
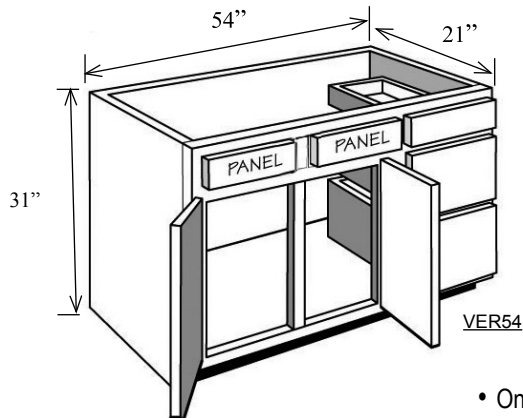
Glides

- Full Ext. Ball Bearing Glide (F) \$28 per drawer
- Soft Close Undermount Glide (S) .. \$100 per drawer

Combo Vanities

148

Combo Vanities



- One 4"H top drawer
- Two 6"H drawers on VEL and VER
- Two 8"H drawers on VTEL and VTER
- Two false drawer fronts
- Specify finished sides left, right or both

Vanity Cabinets

Item No.	Width	Height	Depth	Doors	Drawers	Opening W	Opening H	Center Stile W
VEL48	48"	31"	21"	2	3	15" / 12" / 12"	5 1/4" / 7 5/8" / 16 3/4"	3"
VEL54	54"	31"	21"	2	3	21" / 12" / 12"	5 1/4" / 7 5/8" / 16 3/4"	3"
VEL60	60"	31"	21"	2	3	21" / 15" / 15"	5 1/4" / 7 5/8" / 16 3/4"	3"
VER48	48"	31"	21"	2	3	12" / 12" / 15"	5 1/4" / 7 5/8" / 16 3/4"	3"
VER54	54"	31"	21"	2	3	12" / 12" / 21"	5 1/4" / 7 5/8" / 16 3/4"	3"
VER60	60"	31"	21"	2	3	15" / 15" / 21"	5 1/4" / 7 5/8" / 16 3/4"	3"

Tall Vanity Cabinets

Item No.	Width	Height	Depth	Doors	Drawers	Opening W	Opening H	Center Stile W
VTEL48	48"	34 1/2"	21"	2	3	15" / 12" / 12"	5 1/4" / 9 3/8" / 20 1/4"	3"
VTEL54	54"	34 1/2"	21"	2	3	21" / 12" / 12"	5 1/4" / 9 3/8" / 20 1/4"	3"
VTEL60	60"	34 1/2"	21"	2	3	21" / 15" / 15"	5 1/4" / 9 3/8" / 20 1/4"	3"
VTER48	48"	34 1/2"	21"	2	3	12" / 12" / 15"	5 1/4" / 9 3/8" / 20 1/4"	3"
VTER54	54"	34 1/2"	21"	2	3	12" / 12" / 21"	5 1/4" / 9 3/8" / 20 1/4"	3"
VTER60	60"	34 1/2"	21"	2	3	15" / 15" / 21"	5 1/4" / 9 3/8" / 20 1/4"	3"

CABINET PRICES					
Item No.	Level 1	Level 2	Level 3	Level 4	Level 5
VEL48	1040	1080	1136	1244	1332
VEL54	1168	1216	1280	1400	1496
VEL60	1228	1276	1340	1468	1572
VER48	1040	1080	1136	1244	1332
VER54	1168	1216	1280	1400	1496
VER60	1228	1276	1340	1468	1572
VTEL48	1192	1240	1304	1428	1528
VTEL54	1344	1396	1468	1608	1720
VTEL60	1408	1464	1540	1684	1804
VTER48	1192	1240	1304	1428	1528
VTER54	1344	1396	1468	1608	1720
VTER60	1408	1464	1540	1684	1804

VER = drawers right
VEL = drawers left

PRICE VARIABLES

Cabinet

- All Furniture Board Box. ▲-11%
- Plywood Sides ★-5%
- Full Overlay No Change
- Same Species Interior. Add 30%
- Finished Side Wall Cabinet \$80
- Finished Side Base Cabinet \$128
- Finished Side Tall Cabinet. \$360

Wood

- Maple Wood No Change
- Oak Wood No Change
- Cherry Wood No Change

Finish

- Stain with Glaze Add 8%
- Paint. Add 8%
- Paint with Glaze Add 15%
- Rubbed Edges Add 15%
- Unfinished-28%

Doors

- Glass Doors/ Same Species Interior.....Add 35%
- Glass Mullion Door \$42 per door
- Arch Door \$22 per door
- Cathedral Door \$22 per door
- Soft Close Door \$20 per door

Drawer

- Upgraded 5/8 Maple Drw Box \$80 per drawer

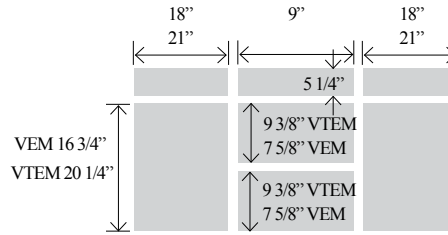
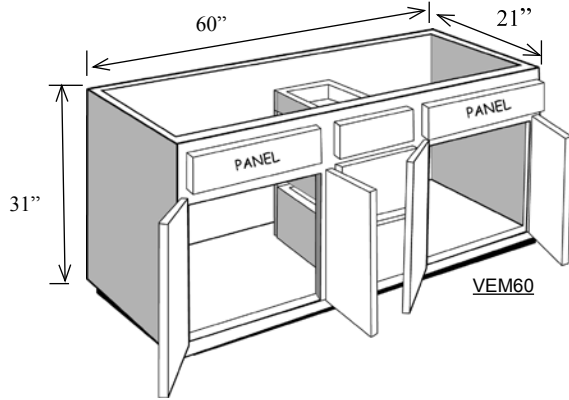
Glides

- Full Ext. Ball Bearing Glide (F) \$28 per drawer
- Soft Close Undermount Glide (S) .. \$100 per drawer

Combo Vanities

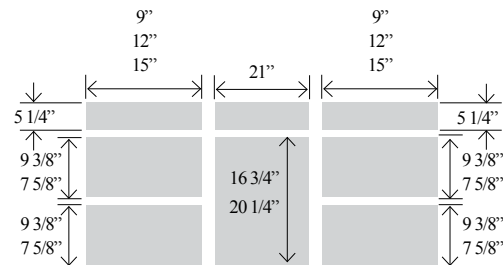
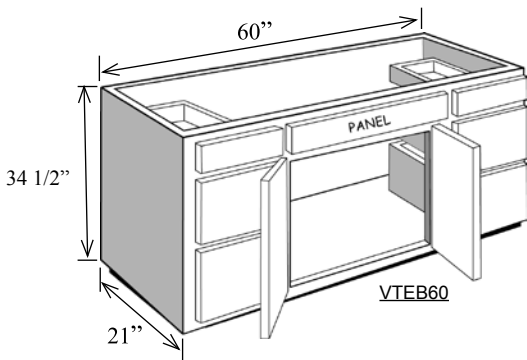
150

Combo Vanities



- Two false drawer fronts
- One 3 1/4"H & Two 5"H drawers
- Specify finished sides left, right or both

Item No.	Width	Height	Depth	Doors	Drawers	Opening W	Opening H
VEM54	54"	31"	21"	4	3	18" / 9" / 18"	5 1/4" / 7 5/8" / 16 3/4"
VEM60	60"	31"	21"	4	3	21" / 9" / 21"	5 1/4" / 7 5/8" / 16 3/4"
VTEM54	54"	34 1/2"	21"	4	3	18" / 9" / 18"	5 1/4" / 9 3/8" / 20 1/4"
VTEM60	60"	34 1/2"	21"	4	3	21" / 9" / 21"	5 1/4" / 9 3/8" / 20 1/4"



Opening dimensions based on item number VEB

- One false drawer front
- Two 3 1/4"H & Four 5"H drawers
- Specify finished sides left, right or both

Item No.	Width	Height	Depth	Doors	Drawers	Opening W	Opening H
VEB48	48"	31"	21"	2	6	9" / 21" / 9"	5 1/4" / 7 5/8" / 16 3/4"
VEB54	54"	31"	21"	2	6	12" / 21" / 12"	5 1/4" / 7 5/8" / 16 3/4"
VEB60	60"	31"	21"	2	6	15" / 21" / 15"	5 1/4" / 7 5/8" / 16 3/4"
VTEB48	48"	34 1/2"	21"	2	6	9" / 21" / 9"	5 1/4" / 9 3/8" / 20 1/4"
VTEB54	54"	34 1/2"	21"	2	6	12" / 21" / 12"	5 1/4" / 9 3/8" / 20 1/4"
VTEB60	60"	34 1/2"	21"	2	6	15" / 21" / 15"	5 1/4" / 9 3/8" / 20 1/4"

CABINET PRICES					
Item No.	Level 1	Level 2	Level 3	Level 4	Level 5
VEM54	1284	1336	1404	1540	1644
VEM60	1344	1400	1472	1612	1724
VTEM54	1476	1536	1616	1768	1892
VTEM60	1548	1612	1696	1856	1984
VEB48	1388	1444	1520	1664	1780
VEB54	1400	1456	1532	1676	1792
VEB60	1468	1528	1608	1760	1880
VTEB48	1612	1676	1760	1928	2064
VTEB54	1612	1676	1760	1928	2064
VTEB60	1692	1760	1848	2024	2168

VEB = drawers both sides
VEM = drawers middle

PRICE VARIABLES

Cabinet

- All Furniture Board Box. ▲ -11%
- Plywood Sides . ★ -5%
- Full Overlay No Change
- Same Species Interior. Add 30%
- Finished Side Wall Cabinet \$80
- Finished Side Base Cabinet \$128
- Finished Side Tall Cabinet. \$360

Wood

- Maple Wood No Change
- Oak Wood No Change
- Cherry Wood No Change

Finish

- Stain with Glaze Add 8%
- Paint. Add 8%
- Paint with Glaze Add 15%
- Rubbed Edges Add 15%
- Unfinished -28%

Doors

- Glass Doors/ Same Species Interior.....Add 35%
- Glass Mullion Door \$42 per door
- Arch Door \$22 per door
- Cathedral Door \$22 per door
- Soft Close Door \$20 per door

Drawer

- Upgraded 5/8 Maple Drw Box \$80 per drawer

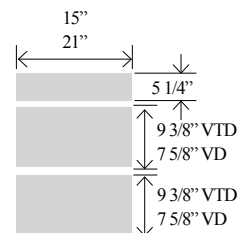
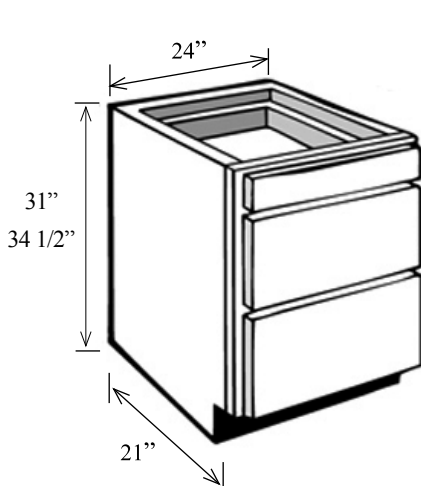
Glides

- Full Ext. Ball Bearing Glide (F) \$28 per drawer
- Soft Close Undermount Glide (S) . . \$100 per drawer

Drawer & Hamper Vanity Cabinets

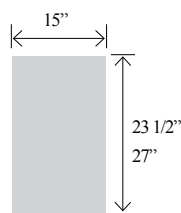
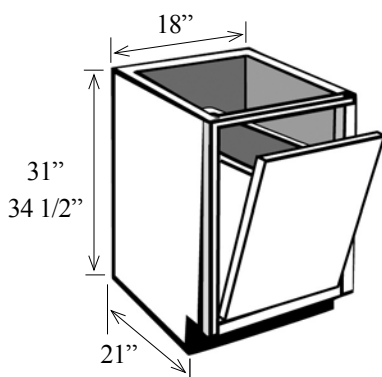
152

Drawer & Hamper Cabinets



- Three drawers
- Specify finished sides left, right or both

Item No.	Width	Height	Depth	Drawers
VD15	15"	31"	21"	3
VD18	18"	31"	21"	3
VD24	24"	31"	21"	3
VTD15	15"	34 1/2"	21"	3
VTD18	18"	34 1/2"	21"	3
VTD24	24"	34 1/2"	21"	3



- Includes one plastic hamper
- Door hinge on bottom

Item No.	Width	Height	Depth	Doors
VH18	18"	31"	21"	1
VTH18	18"	34 1/2"	21"	1

CABINET PRICES					
Item No.	Level 1	Level 2	Level 3	Level 4	Level 5
VD15	668	692	728	796	852
VD18	704	732	772	844	904
VD24	736	764	804	880	940
VTD15	768	796	836	916	980
VTD18	808	840	884	968	1036
VTD24	848	880	924	1012	1084
VH18	528	548	576	632	676
VTH18	608	632	664	728	780

PRICE VARIABLES

Cabinet

- All Furniture Board Box. ▲ -11%
- Plywood Sides. ★ -5%
- Full Overlay No Change
- Same Species Interior. Add 30%
- Finished Side Wall Cabinet. \$80
- Finished Side Base Cabinet. \$128
- Finished Side Tall Cabinet. \$360

Wood

- Maple Wood No Change
- Oak Wood No Change
- Cherry Wood No Change

Finish

- Stain with Glaze Add 8%
- Paint. Add 8%
- Paint with Glaze Add 15%
- Rubbed Edges Add 15%
- Unfinished -28%

Doors

- Glass Doors/ Same Species Interior..... Add 35%
- Glass Mullion Door \$42 per door
- Arch Door \$22 per door
- Cathedral Door \$22 per door
- Soft Close Door \$20 per door

Drawer

- Upgraded 5/8 Maple Drw Box \$80 per drawer

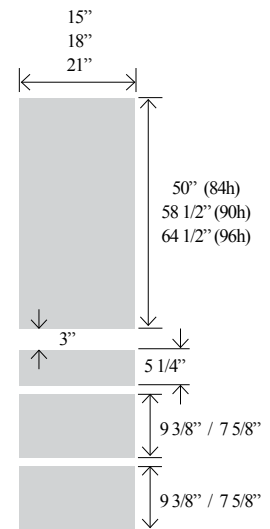
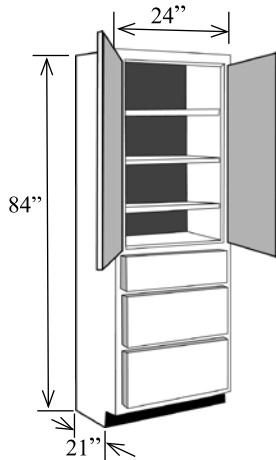
Glides

- Full Ext. Ball Bearing Glide (F) \$28 per drawer
- Soft Close Undermount Glide (S) .. \$100 per drawer

Linen Cabinets

154

Linen Cabinets



- Three adjustable shelves
- One fixed shelf
- One 4"H & Two 6" or 8" H drawer boxes
- Specify hinge left or hinge right for one door cabinets
- Specify finished sides left, right or both

Item No.	Width	Height	Depth	Shelves	Doors	Drawers	Opening W	Opening H
VLD1884L	18"	84"	21"	3	1	3	15"	50" / 5 1/4" / 7 5/8" / 7 5/8"
VLD2184L	21"	84"	21"	3	1	3	18"	50" / 5 1/4" / 7 5/8" / 7 5/8"
VLD1884R	18"	84"	21"	3	1	3	15"	50" / 5 1/4" / 7 5/8" / 7 5/8"
VLD2184R	21"	84"	21"	3	1	3	18"	50" / 5 1/4" / 7 5/8" / 7 5/8"
VLD2484	24"	84"	21"	3	2	3	21"	50" / 5 1/4" / 7 5/8" / 7 5/8"
VLD2484L	24"	84"	21"	3	1	3	21"	50" / 5 1/4" / 7 5/8" / 7 5/8"
VLD2484R	24"	84"	21"	3	1	3	21"	50" / 5 1/4" / 7 5/8" / 7 5/8"
VTLD1890L	18"	90"	21"	3	1	3	15"	52 1/2" / 5 1/4" / 9 3/8" / 9 3/8"
VTLD2190L	21"	90"	21"	3	1	3	18"	52 1/2" / 5 1/4" / 9 3/8" / 9 3/8"
VTLD1890R	18"	90"	21"	3	1	3	15"	52 1/2" / 5 1/4" / 9 3/8" / 9 3/8"
VTLD2190R	21"	90"	21"	3	1	3	18"	52 1/2" / 5 1/4" / 9 3/8" / 9 3/8"
VTLD2490	24"	90"	21"	3	2	3	21"	52 1/2" / 5 1/4" / 9 3/8" / 9 3/8"
VTLD2490L	24"	90"	21"	3	1	3	21"	52 1/2" / 5 1/4" / 9 3/8" / 9 3/8"
VTLD2490R	24"	90"	21"	3	1	3	21"	52 1/2" / 5 1/4" / 9 3/8" / 9 3/8"
VTLD1896L	18"	96"	21"	3	1	3	15"	58 1/2" / 5 1/4" / 9 3/8" / 9 3/8"
VTLD2196L	21"	96"	21"	3	1	3	18"	58 1/2" / 5 1/4" / 9 3/8" / 9 3/8"
VTLD1896R	18"	96"	21"	3	1	3	15"	58 1/2" / 5 1/4" / 9 3/8" / 9 3/8"
VTLD2196R	21"	96"	21"	3	1	3	18"	58 1/2" / 5 1/4" / 9 3/8" / 9 3/8"
VTLD2496	24"	96"	21"	3	2	3	21"	58 1/2" / 5 1/4" / 9 3/8" / 9 3/8"
VTLD2496L	24"	96"	21"	3	1	3	21"	58 1/2" / 5 1/4" / 9 3/8" / 9 3/8"
VTLD2496R	24"	96"	21"	3	1	3	21"	58 1/2" / 5 1/4" / 9 3/8" / 9 3/8"

CABINET PRICES					
Item No.	Level 1	Level 2	Level 3	Level 4	Level 5
VLD1884L	1616	1680	1764	1932	2068
VLD1884R	1616	1680	1764	1932	2068
VLD2184L	1780	1852	1948	2132	2280
VLD2184R	1780	1852	1948	2132	2280
VLD2484	1940	2020	2124	2324	2488
VLD2484L	1940	2020	2124	2324	2488
VLD2484R	1940	2020	2124	2324	2488
VLD1890L	1788	1860	1956	2140	2288
VLD1890R	1788	1860	1956	2140	2288
VLD2190L	1920	2000	2100	2300	2460
VLD2190R	1920	2000	2100	2300	2460
VLD2490	2116	2204	2316	2536	2712
VLD2490L	2116	2204	2316	2536	2712
VLD2490R	2116	2204	2316	2536	2712
VTLD1884L	1868	1944	2044	2236	2392
VTLD1884R	1868	1944	2044	2236	2392
VTLD2184L	1964	2044	2148	2352	2516
VTLD2184R	1964	2044	2148	2352	2516
VTLD2484	2124	2212	2324	2544	2724
VTLD2484L	2124	2212	2324	2544	2724
VTLD2484R	2124	2212	2324	2544	2724
VTLD1890L	2032	2116	2224	2436	2604
VTLD1890R	2032	2116	2224	2436	2604
VTLD2190L	2092	2176	2288	2504	2680
VTLD2190R	2092	2176	2288	2504	2680
VTLD2490	2248	2340	2460	2692	2880
VTLD2490L	2248	2340	2460	2692	2880
VTLD2490R	2248	2340	2460	2692	2880

PRICE VARIABLES

Cabinet

- All Furniture Board Box. ▲ -11%
- Plywood Sides . ★ -5%
- Full Overlay No Change
- Same Species Interior. Add 30%
- Finished Side Wall Cabinet \$80
- Finished Side Base Cabinet \$128
- Finished Side Tall Cabinet. \$360

Wood

- Maple Wood No Change
- Oak Wood No Change
- Cherry Wood No Change

Finish

- Stain with Glaze Add 8%
- Paint. Add 8%
- Paint with Glaze Add 15%
- Rubbed Edges Add 15%
- Unfinished -28%

Doors

- Glass Doors/ Same Species Interior.....Add 35%
- Glass Mullion Door \$42 per door
- Arch Door \$22 per door
- Cathedral Door \$22 per door
- Soft Close Door \$20 per door

Drawer

- Upgraded 5/8 Maple Drw Box \$80 per drawer

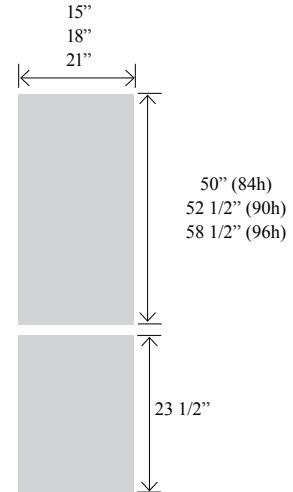
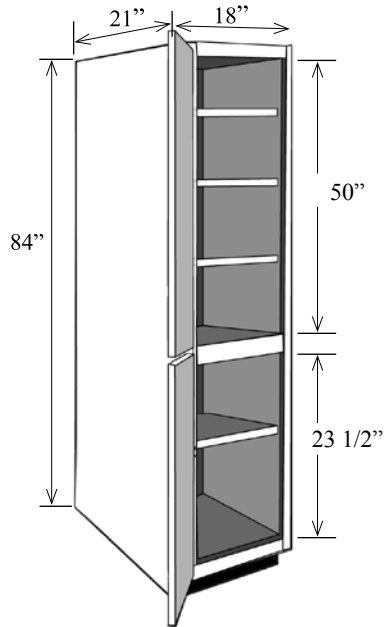
Glides

- Full Ext. Ball Bearing Glide (F) \$28 per drawer
- Soft Close Undermount Glide (S) .. \$100 per drawer

Linen Cabinets

156

Linen Cabinets



- Four adjustable shelves
- One fixed shelf
- Two doors
- Specify hinge left or hinge right
- Specify finished sides left, right or both

Item No.	Width	Height	Depth	Shelves	Doors	Drawers	Opening W	Opening H
VLC1884L	18"	84"	21"	4	2	3	15"	50" / 23 1/2"
VLC2184L	21"	84"	21"	4	2	3	18"	50" / 23 1/2"
VLC1884R	18"	84"	21"	4	2	3	15"	50" / 23 1/2"
VLC2184R	21"	84"	21"	4	2	3	18"	50" / 23 1/2"
VLC2484	24"	84"	21"	4	4	3	21"	50" / 23 1/2"
VLC2484L	24"	84"	21"	4	2	3	21"	50" / 23 1/2"
VLC2484R	24"	84"	21"	4	2	3	21"	50" / 23 1/2"
VTLC1890L	18"	90"	21"	4	2	3	15"	52 1/2" / 27"
VTLC2190L	21"	90"	21"	4	2	3	18"	52 1/2" / 27"
VTLC1890R	18"	90"	21"	4	2	3	15"	52 1/2" / 27"
VTLC2190R	21"	90"	21"	4	2	3	18"	52 1/2" / 27"
VTLC2490	24"	90"	21"	4	4	3	21"	52 1/2" / 27"
VTLC2490L	24"	90"	21"	4	2	3	21"	52 1/2" / 27"
VTLC2490R	24"	90"	21"	4	2	3	21"	52 1/2" / 27"
VTLC1896L	18"	96"	21"	4	2	3	15"	58 1/2" / 27"
VTLC2196L	21"	96"	21"	4	2	3	18"	58 1/2" / 27"
VTLC1896R	18"	96"	21"	4	2	3	15"	58 1/2" / 27"
VTLC2196R	21"	96"	21"	4	2	3	18"	58 1/2" / 27"
VTLC2496	24"	96"	21"	4	4	3	21"	58 1/2" / 27"
VTLC2496L	24"	96"	21"	4	2	3	21"	58 1/2" / 27"
VTLC2496R	24"	96"	21"	4	2	3	21"	58 1/2" / 27"

CABINET PRICES					
Item No.	Level 1	Level 2	Level 3	Level 4	Level 5
VLC1884L	1304	1356	1424	1560	1668
VLC1884R	1304	1356	1424	1560	1668
VLC2184L	1436	1492	1568	1716	1836
VLC2184R	1436	1492	1568	1716	1836
VLC2484	1556	1620	1704	1864	1996
VLC2484L	1556	1620	1704	1864	1996
VLC2484R	1556	1620	1704	1864	1996
VLC1890L	1436	1492	1568	1716	1836
VLC1890R	1436	1492	1568	1716	1836
VLC2190L	1572	1636	1720	1884	2016
VLC2190R	1572	1636	1720	1884	2016
VLC2490	1696	1764	1856	2032	2172
VLC2490L	1696	1764	1856	2032	2172
VLC2490R	1696	1764	1856	2032	2172
VTLC1884L	1440	1496	1572	1724	1844
VTLC1884R	1440	1496	1572	1724	1844
VTLC2184L	1580	1644	1728	1892	2024
VTLC2184R	1580	1644	1728	1892	2024
VTLC2484	1716	1784	1876	2052	2196
VTLC2484L	1716	1784	1876	2052	2196
VTLC2484R	1716	1784	1876	2052	2196
VTLC1890L	1592	1656	1740	1908	2040
VTLC1890R	1592	1656	1740	1908	2040
VTLC2190L	1704	1772	1864	2040	2180
VTLC2190R	1704	1772	1864	2040	2180
VTLC2490	1820	1892	1988	2176	2328
VTLC2490L	1820	1892	1988	2176	2328
VTLC2490R	1820	1892	1988	2176	2328

PRICE VARIABLES

Cabinet

- All Furniture Board Box. ▲ -11%
- Plywood Sides. ★ -5%
- Full Overlay No Change
- Same Species Interior. Add 30%
- Finished Side Wall Cabinet \$80
- Finished Side Base Cabinet \$128
- Finished Side Tall Cabinet. \$360

Wood

- Maple Wood No Change
- Oak Wood No Change
- Cherry Wood No Change

Finish

- Stain with Glaze Add 8%
- Paint Add 8%
- Paint with Glaze Add 15%
- Rubbed Edges Add 15%
- Unfinished -28%

Doors

- Glass Doors/ Same Species Interior..... Add 35%
- Glass Mullion Door \$42 per door
- Arch Door \$22 per door
- Cathedral Door \$22 per door
- Soft Close Door \$20 per door

Drawer

- Upgraded 5/8 Maple Drw Box \$80 per drawer

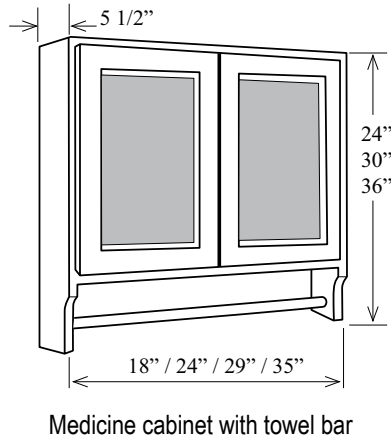
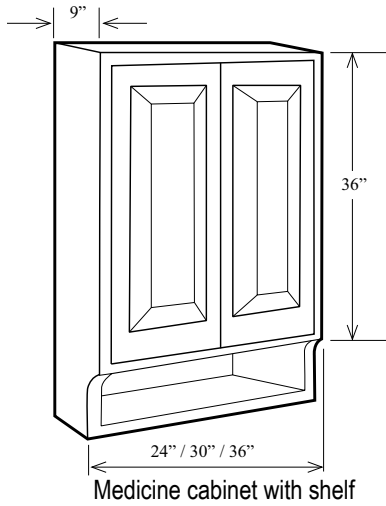
Glides

- Full Ext. Ball Bearing Glide (F) \$28 per drawer
- Soft Close Undermount Glide (S) .. \$100 per drawer

Medicine Cabinets

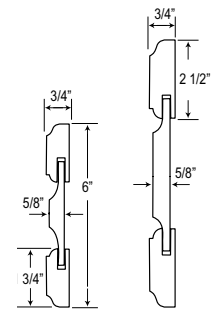
158

Door Styles

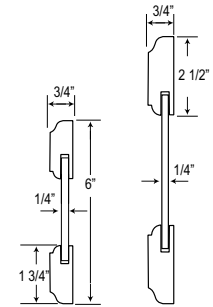


- Choose a shelf (S) or towel bar (B) cabinet (N) Box
- All cabinets are available in four door styles:
Flat Panel, Raised Panel, Beadboard and Glass, Mirror.

Item No.	Width	Height	Depth	Shelves	Doors
BC_1824__BorS	19 1/2"	24"	6 1/4"	2	1
BC_2424__BorS	25 1/2"	24"	6 1/4"	2	1
BC_3024__BorS	31 1/2"	24"	6 1/4"	2	1
BC_3624__BorS	37 1/2"	24"	6 1/4"	2	1
BC_1830__BorS	19 1/2"	30"	6 1/4"	2	2
BC_2430__BorS	25 1/2"	30"	6 1/4"	2	2
BC_3030__BorS	31 1/2"	30"	6 1/4"	2	2
BC_3630__BorS	37 1/2"	30"	6 1/4"	2	2
BC_1836__BorS	19 1/2"	36"	6 1/4"	2	2
BC_2436__BorS	25 1/2"	36"	6 1/4"	2	2
BC_3036__BorS	31 1/2"	36"	6 1/4"	2	2
BC_3636__BorS	37 1/2"	36"	6 1/4"	2	2



Raised Panel
Square door profile



Raised Panel
Glass/Mirror
Bead Board
Square door profile

NOTE: Choose any cabinet door style (page 10 - 23) available in mirror, glass or wood panel.



Glass/Mirror Door



Bead Board Door



Flat Panel Door



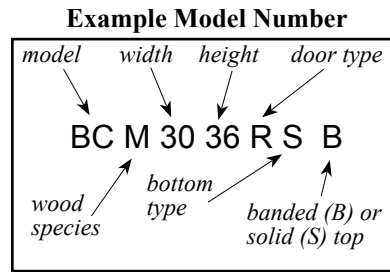
Raised Panel Door

Door Type Code Key

- F = Flat Panel
- R = Raised Panel
- B = Beadboard
- G = Glass
- M = Mirror



BCM1824MNB
Box Bottom, Mirror,
Maple Medicine Cabinet



Bottom Type Code Key

- S = Shelf Bottom
- B = Bar Bottom
- N = Box Bottom

Add the code at the end of the model number for your door and bottom options.

Choice of:
B=Banded Top
S=Solid Wood Top

NOTE: Medicine cabinets <24" w have one door.
Specify Hinge Left or Hinge Right.

CABINET PRICES					
Item No.	Level 1	Level 2	Level 3	Level 4	Level 5
BC_1824__B	CALL	CALL	CALL	CALL	CALL
BC_1824__S	CALL	CALL	CALL	CALL	CALL
BC_2424__B	CALL	CALL	CALL	CALL	CALL
BC_2424__S	CALL	CALL	CALL	CALL	CALL
BC_3024__B	CALL	CALL	CALL	CALL	CALL
BC_3024__S	CALL	CALL	CALL	CALL	CALL
BC_3624__B	CALL	CALL	CALL	CALL	CALL
BC_3624__S	CALL	CALL	CALL	CALL	CALL
BC_1830__B	CALL	CALL	CALL	CALL	CALL
BC_1830__S	CALL	CALL	CALL	CALL	CALL
BC_2430__B	CALL	CALL	CALL	CALL	CALL
BC_2430__S	CALL	CALL	CALL	CALL	CALL
BC_3030__B	CALL	CALL	CALL	CALL	CALL
BC_3030__S	CALL	CALL	CALL	CALL	CALL
BC_3630__B	CALL	CALL	CALL	CALL	CALL
BC_3630__S	CALL	CALL	CALL	CALL	CALL
BC_1836__B	CALL	CALL	CALL	CALL	CALL
BC_1836__S	CALL	CALL	CALL	CALL	CALL
BC_2436__B	CALL	CALL	CALL	CALL	CALL
BC_2436__S	CALL	CALL	CALL	CALL	CALL
BC_3036__B	CALL	CALL	CALL	CALL	CALL
BC_3036__S	CALL	CALL	CALL	CALL	CALL
BC_3636__B	CALL	CALL	CALL	CALL	CALL
BC_3636__S	CALL	CALL	CALL	CALL	CALL

Specify :

- Bottom type
- Door Style with:
 - Mirror, Glass or Wood Panel
- Solid or Banded top
- Hinge Right or Hinge Left

PRICE VARIABLES

Cabinet

- All Furniture Board Box. ▲ -11%
- Plywood Sides. ★ -5%
- Full Overlay No Change
- Same Species Interior. Add 30%
- Finished Side Wall Cabinet \$80
- Finished Side Base Cabinet \$128
- Finished Side Tall Cabinet. \$360

Wood

- Maple Wood No Change
- Oak Wood No Change
- Cherry Wood No Change

Finish

- Stain with Glaze Add 8%
- Paint. Add 8%
- Paint with Glaze Add 15%
- Rubbed Edges Add 15%
- Unfinished -28%

Doors

- Glass Doors/ Same Species Interior.....Add 35%
- Glass Mullion Door \$42 per door
- Arch Door. \$22 per door
- Cathedral Door..... \$22 per door
- Soft Close Door \$20 per door

Drawer

- Upgraded 5/8 Maple Drw Box \$80 per drawer

Glides

- Full Ext. Ball Bearing Glide (F) \$28 per drawer
- Soft Close Undermount Glide (S) .. \$100 per drawer

Mirrors



Mirror (OM)



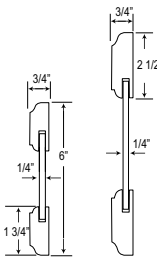
Mirror with Shelf (MS)



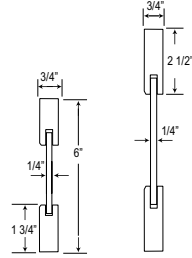
Mirror with Shelf & Pegs (MPS)

• All mirrors are available in the 3 frame styles shown below

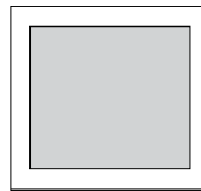
Item No.	Width	Height	Depth	Pegs
OM_2133S	21"	33"	1 3/4"	-
OM_2433S	24"	33"	1 3/4"	-
MS_2633S	26"	33"	6 1/4"	-
MPS_2633S	26"	33"	6 1/4"	3



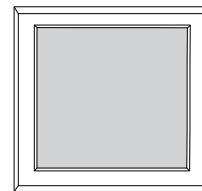
Square & Arch frame profile



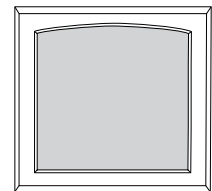
Mission frame profile



Mission Frame Mirror



Square Frame Mirror



Arch Frame Mirror

MIRROR PRICES				
Item No.	Pine	Maple	Oak	Cherry
OM_2133S	CALL	CALL	CALL	CALL
OM_2433S	CALL	CALL	CALL	CALL
MS_2633S	CALL	CALL	CALL	CALL
MPS_2633S	CALL	CALL	CALL	CALL

PRICE VARIABLES

Unfinished	- 28%
Stain with Glaze.	+ 8%
Paint	+ 8%
Paint with Glaze.	+ 15%



Designer Vanities

Hampshire Designer Vanities

162

Designer Vanities



- Accomodates Vessel Sinks
- One false drawer front
- Specify hinge left or hinge right

Item No.	Width	Height	Depth	Doors
WC_2W5013	21"	30 1/2"	21"	1



- One false drawer front
- Specify hinge left or hinge right

Item No.	Width	Height	Depth	Doors
WC_2W5001	21"	34 1/2"	21"	1



- One false drawer front

Item No.	Width	Height	Depth	Doors
WC_2W5002	24"	34 1/2"	21"	2
WC_2W5003	30"	34 1/2"	21"	2



- Two false drawer fronts

Item No.	Width	Height	Depth	Doors
WC_2W5004	36"	34 1/2"	21"	2



- Three false drawer fronts

Item No.	Width	Height	Depth	Doors
WC_2W5005	42"	34 1/2"	21"	4
WC_2W5006	48"	34 1/2"	21"	4
WC_2W5007	54"	34 1/2"	21"	4
WC_2W5008	60"	34 1/2"	21"	4

CABINET PRICES	
Item No.	Price
WC_2W5001	728
WC_2W5002	780
WC_2W5003	840
WC_2W5004	952
WC_2W5013	668
WC_2W5005	984
WC_2W5006	1048
WC_2W5007	1232
WC_2W5008	1372

PRICE VARIABLES

Unfinished-28%
Stain with GlazeAdd 8%
PaintAdd 8%
Paint with GlazeAdd 15%
Rubbed EdgesAdd 15%
Pine Wood-5%
Oak WoodNo Change
Cherry WoodNo Change
3/4 Undermount Drawer Glides	\$.28.00 per drawer
Full Ext. Ball Bearing Glides	\$.28.00 per drawer
Soft Close Glides	\$.100.00 per drawer
Upgraded 5/8 Maple Drw Box	\$.80.00 per drawer

Hampshire Designer Vanities



- One false drawer front

Item No.	Width	Height	Depth	Drawers	Doors
WC_2W5009	42"	34 1/2"	21"	3	2



- Two false drawer fronts

Item No.	Width	Height	Depth	Drawers	Doors
WC_2W5010	48"	34 1/2"	21"	3	2
WC_2W5011	54"	34 1/2"	21"	3	2
WC_2W5012	60"	34 1/2"	21"	3	2



- Two false drawer fronts

Item No.	Width	Height	Depth	Drawers	Doors
WC_2W5014	54"	34 1/2"	21"	3	4
WC_2W5015	60"	34 1/2"	21"	3	4



- One false drawer front

Item No.	Width	Height	Depth	Drawers	Doors
WC_2W5016	54"	34 1/2"	21"	6	2
WC_2W5017	60"	34 1/2"	21"	6	2

CABINET PRICES	
Item No.	PRICE
WC_2W5009	1460
WC_2W5010	1400
WC_2W5011	1504
WC_2W5012	1612
WC_2W5013	668
WC_2W5014	1656
WC_2W5015	1772
WC_2W5016	1804
WC_2W5017	1932

PRICE VARIABLES

Unfinished-28%
Stain with GlazeAdd 8%
PaintAdd 8%
Paint with GlazeAdd 15%
Rubbed EdgesAdd 15%
Pine Wood-5%
Oak WoodNo Change
Cherry WoodNo Change
3/4 Undermount Drawer Glides	\$.28.00 per drawer
Full Ext. Ball Bearing Glides	\$.28.00 per drawer
Soft Close Glides	\$.100.00 per drawer
Upgraded 5/8 Maple Drw Box	\$.80.00 per drawer

Cottage Designer Vanities

164

Designer Vanities



- Accomodates Vessel Sinks
- One false drawer front
- Specify hinge left or hinge right

Item No.	Width	Height	Depth	Doors
WC_2E5013	21"	30 1/2"	21"	1



- One false drawer front
- Specify hinge left or hinge right

Item No.	Width	Height	Depth	Doors
WC_2E5001	21"	34 1/2"	21"	1



- One false drawer front

Item No.	Width	Height	Depth	Doors
WC_2E5002	24"	34 1/2"	21"	2
WC_2E5003	30"	34 1/2"	21"	2



- Two false drawer fronts

Item No.	Width	Height	Depth	Doors
WC_2E5004	36"	34 1/2"	21"	2



- Three false drawer fronts

Item No.	Width	Height	Depth	Doors
WC_2E5005	42"	34 1/2"	21"	4
WC_2E5006	48"	34 1/2"	21"	4
WC_2E5007	54"	34 1/2"	21"	4
WC_2E5008	60"	34 1/2"	21"	4

CABINET PRICES	
Item No.	PRICE
WC_2E5013	748
WC_2E5001	816
WC_2E5002	876
WC_2E5003	940
WC_2E5004	1068
WC_2E5005	1100
WC_2E5006	1176
WC_2E5007	1380
WC_2E5008	1536

PRICE VARIABLES

Unfinished-28%
Stain with GlazeAdd 8%
PaintAdd 8%
Paint with GlazeAdd 15%
Rubbed EdgesAdd 15%
Pine Wood-5%
Oak WoodNo Change
Cherry WoodNo Change
3/4 Undermount Drawer Glides	\$.28.00 per drawer
Full Ext. Ball Bearing Glides	\$.28.00 per drawer
Soft Close Glides	\$.100.00 per drawer
Upgraded 5/8 Maple Drw Box	\$.80.00 per drawer

Cottage Designer Vanities



- One false drawer front

Item No.	Width	Height	Depth	Drawers	Doors
WC_2E5009	42"	34 1/2"	21"	3	2



- Two false drawer fronts

Item No.	Width	Height	Depth	Drawers	Doors
WC_2E5010	48"	34 1/2"	21"	3	2
WC_2E5011	54"	34 1/2"	21"	3	2
WC_2E5012	60"	34 1/2"	21"	3	2



- Two false drawer fronts

Item No.	Width	Height	Depth	Drawers	Doors
WC_2E5014	54"	34 1/2"	21"	3	4
WC_2E5015	60"	34 1/2"	21"	3	4



- One false drawer front

Item No.	Width	Height	Depth	Drawers	Doors
WC_2E5016	54"	34 1/2"	21"	6	2
WC_2E5017	60"	34 1/2"	21"	6	2

CABINET PRICES	
Item No.	PRICE
WC_2E5009	1460
WC_2E5010	1568
WC_2E5011	1684
WC_2E5012	1804
WC_2E5013	748
WC_2E5014	1852
WC_2E5015	1984
WC_2E5016	2020
WC_2E5017	2164

PRICE VARIABLES

Unfinished-28%
Stain with GlazeAdd 8%
PaintAdd 8%
Paint with GlazeAdd 15%
Rubbed EdgesAdd 15%
Pine Wood-5%
Oak WoodNo Change
Cherry WoodNo Change
3/4 Undermount Drawer Glides	\$.28.00 per drawer
Full Ext. Ball Bearing Glides	\$.28.00 per drawer
Soft Close Glides	\$.100.00 per drawer
Upgraded 5/8 Maple Drw Box	\$.80.00 per drawer

Shaker Designer Vanities

166

Designer Vanities



- Accomodates Vessel Sinks
- One false drawer front
- Specify hinge left or hinge right

Item No.	Width	Height	Depth	Doors
WC_2D5013	21"	30 1/2"	21"	1



- One false drawer front
- Specify hinge left or hinge right

Item No.	Width	Height	Depth	Doors
WC_2D5001	21"	34 1/2"	21"	1



- One false drawer front

Item No.	Width	Height	Depth	Doors
WC_2D5002	24"	34 1/2"	21"	2
WC_2D5003	30"	34 1/2"	21"	2



- Two false drawer fronts

Item No.	Width	Height	Depth	Doors
WC_2D5004	36"	34 1/2"	21"	2



- Three false drawer fronts

Item No.	Width	Height	Depth	Doors
WC_2D5005	42"	34 1/2"	21"	4
WC_2D5006	48"	34 1/2"	21"	4
WC_2D5007	54"	34 1/2"	21"	4
WC_2D5008	60"	34 1/2"	21"	4

CABINET PRICES	
Item No.	PRICE
WC_2D5013	668
WC_2D5001	728
WC_2D5002	780
WC_2D5003	840
WC_2D5004	952
WC_2D5005	984
WC_2D5006	1048
WC_2D5007	1232
WC_2D5008	1372

PRICE VARIABLES

Unfinished-28%
Stain with GlazeAdd 8%
PaintAdd 8%
Paint with GlazeAdd 15%
Rubbed EdgesAdd 15%
Pine Wood-5%
Oak WoodNo Change
Cherry WoodNo Change
3/4 Undermount Drawer Glides	.\$28.00 per drawer
Full Ext. Ball Bearing Glides	.\$28.00 per drawer
Soft Close Glides	...\$100.00 per drawer
Upgraded 5/8 Maple Drw Box	...\$80.00 per drawer

Shaker Designer Vanities



- One false drawer front

Item No.	Width	Height	Depth	Drawers	Doors
WC_2D5009	42"	34 1/2"	21"	3	2



- Two false drawer fronts

Item No.	Width	Height	Depth	Drawers	Doors
WC_2D5010	48"	34 1/2"	21"	3	2
WC_2D5011	54"	34 1/2"	21"	3	2
WC_2D5012	60"	34 1/2"	21"	3	2



- Two false drawer fronts

Item No.	Width	Height	Depth	Drawers	Doors
WC_2D5014	54"	34 1/2"	21"	3	4
WC_2D5015	60"	34 1/2"	21"	3	4



- One false drawer front

Item No.	Width	Height	Depth	Drawers	Doors
WC_2E5016	54"	34 1/2"	21"	6	2
WC_2E5017	60"	34 1/2"	21"	6	2

CABINET PRICES	
Item No.	PRICE
WC_2D5009	1460
WC_2D5010	1400
WC_2D5011	1504
WC_2D5012	1612
WC_2D5013	668
WC_2D5014	1656
WC_2D5015	1772
WC_2D5016	1804
WC_2D5017	1932

PRICE VARIABLES

Unfinished-28%
Stain with GlazeAdd 8%
PaintAdd 8%
Paint with GlazeAdd 15%
Rubbed EdgesAdd 15%
Pine Wood-5%
Oak WoodNo Change
Cherry WoodNo Change
3/4 Undermount Drawer Glides	\$.28.00 per drawer
Full Ext. Ball Bearing Glides	\$.28.00 per drawer
Soft Close Glides	\$.100.00 per drawer
Upgraded 5/8 Maple Drw Box	\$.80.00 per drawer

Vintage Designer Vanities

168

Designer Vanities



- Accomodates Vessel Sinks
- One false drawer front
- Specify hinge left or hinge right

Item No.	Width	Height	Depth	Doors
WC_2G5013	21"	30 1/2"	21"	1



- One false drawer front
- Specify hinge left or hinge right

Item No.	Width	Height	Depth	Doors
WC_2G5001	21"	34 1/2"	21"	1



- One false drawer front

Item No.	Width	Height	Depth	Doors
WC_2G5002	24"	34 1/2"	21"	2
WC_2G5003	30"	34 1/2"	21"	2



- Two false drawer fronts

Item No.	Width	Height	Depth	Doors
WC_2G5004	36"	34 1/2"	21"	2



- Three false drawer fronts

Item No.	Width	Height	Depth	Doors
WC_2G5005	42"	34 1/2"	21"	4
WC_2G5006	48"	34 1/2"	21"	4
WC_2G5007	54"	34 1/2"	21"	4
WC_2G5008	60"	34 1/2"	21"	4

CABINET PRICES	
Item No.	PRICE
WC_2G5013	748
WC_2G5001	816
WC_2G5002	876
WC_2G5003	940
WC_2G5004	1068
WC_2G5005	1100
WC_2G5006	1176
WC_2G5007	1380
WC_2G5008	1536

PRICE VARIABLES

Unfinished	-.28%
Stain with Glaze	.Add 8%
Paint	.Add 8%
Paint with Glaze	.Add 15%
Rubbed Edges	.Add 15%
Pine Wood	-.5%
Oak Wood	No Change
Cherry Wood	No Change
3/4 Undermount Drawer Glides	\$.28.00 per drawer
Full Ext. Ball Bearing Glides	\$.28.00 per drawer
Soft Close Glides	\$.100.00 per drawer
Upgraded 5/8 Maple Drw Box	\$.80.00 per drawer

Vintage Designer Vanities



- One false drawer front

Item No.	Width	Height	Depth	Drawers	Doors
WC_2G5009	42"	34 1/2"	21"	3	2



- Two false drawer fronts

Item No.	Width	Height	Depth	Drawers	Doors
WC_2G5010	48"	34 1/2"	21"	3	2
WC_2G5011	54"	34 1/2"	21"	3	2
WC_2G5012	60"	34 1/2"	21"	3	2



- Two false drawer fronts

Item No.	Width	Height	Depth	Drawers	Doors
WC_2G5014	54"	34 1/2"	21"	3	4
WC_2G5015	60"	34 1/2"	21"	3	4



- One false drawer front

Item No.	Width	Height	Depth	Drawers	Doors
WC_2G5016	54"	34 1/2"	21"	6	2
WC_2G5017	60"	34 1/2"	21"	6	2

CABINET PRICES	
Item No.	PRICE
WC_2G5009	1460
WC_2G5010	1568
WC_2G5011	1684
WC_2G5012	1804
WC_2G5013	748
WC_2G5014	1852
WC_2G5015	1984
WC_2G5016	2020
WC_2G5017	2164

PRICE VARIABLES

Unfinished-28%
Stain with GlazeAdd 8%
PaintAdd 8%
Paint with GlazeAdd 15%
Rubbed EdgesAdd 15%
Pine Wood-5%
Oak WoodNo Change
Cherry WoodNo Change
3/4 Undermount Drawer Glides	\$.28.00 per drawer
Full Ext. Ball Bearing Glides	\$.28.00 per drawer
Soft Close Glides	\$.100.00 per drawer
Upgraded 5/8 Maple Drw Box	\$.80.00 per drawer

Fluted Designer Vanities

170

Designer Vanities



- Accomodates Vessel Sinks
- One false drawer front
- Specify hinge left or hinge right

Item No.	Width	Height	Depth	Doors
WC_2H5013	21"	30 1/2"	21"	1



- One false drawer front
- Specify hinge left or hinge right

Item No.	Width	Height	Depth	Doors
WC_2H5001	21"	34 1/2"	21"	1



- One false drawer front

Item No.	Width	Height	Depth	Doors
WC_2H5002	24"	34 1/2"	21"	2
WC_2H5003	30"	34 1/2"	21"	2



- Two false drawer fronts

Item No.	Width	Height	Depth	Doors
WC_2H5004	36"	34 1/2"	21"	2



- Three false drawer fronts

Item No.	Width	Height	Depth	Doors
WC_2H5005	42"	34 1/2"	21"	4
WC_2H5006	48"	34 1/2"	21"	4
WC_2H5007	54"	34 1/2"	21"	4
WC_2H5008	60"	34 1/2"	21"	4

CABINET PRICES	
Item No.	PRICE
WC_2H5013	668
WC_2H5001	728
WC_2H5002	780
WC_2H5003	840
WC_2H5004	952
WC_2H5005	984
WC_2H5006	1048
WC_2H5007	1232
WC_2H5008	1372

PRICE VARIABLES

Unfinished-28%
Stain with GlazeAdd 8%
PaintAdd 8%
Paint with GlazeAdd 15%
Rubbed EdgesAdd 15%
Pine Wood-5%
Oak WoodNo Change
Cherry WoodNo Change
3/4 Undermount Drawer Glides	.\$28.00 per drawer
Full Ext. Ball Bearing Glides	.\$28.00 per drawer
Soft Close Glides	.\$100.00 per drawer
Upgraded 5/8 Maple Drw Box	.\$80.00 per drawer

Fluted Designer Vanities



- One false drawer front

Item No.	Width	Height	Depth	Drawers	Doors
WC_2H5009	42"	34 1/2"	21"	3	2



- Two false drawer fronts

Item No.	Width	Height	Depth	Drawers	Doors
WC_2H5010	48"	34 1/2"	21"	3	2
WC_2H5011	54"	34 1/2"	21"	3	2
WC_2H5012	60"	34 1/2"	21"	3	2



- Two false drawer fronts

Item No.	Width	Height	Depth	Drawers	Doors
WC_2H5014	54"	34 1/2"	21"	3	4
WC_2H5015	60"	34 1/2"	21"	3	4



- One false drawer front

Item No.	Width	Height	Depth	Drawers	Doors
WC_2H5016	54"	34 1/2"	21"	6	2
WC_2H5017	60"	34 1/2"	21"	6	2

CABINET PRICES	
Item No.	PRICE
WC_2H5009	1460
WC_2H5010	1400
WC_2H5011	1504
WC_2H5012	1612
WC_2H5013	668
WC_2H5014	1656
WC_2H5015	1772
WC_2H5016	1804
WC_2H5017	1932

PRICE VARIABLES

Unfinished-28%
Stain with GlazeAdd 8%
PaintAdd 8%
Paint with GlazeAdd 15%
Rubbed EdgesAdd 15%
Pine Wood-5%
Oak WoodNo Change
Cherry WoodNo Change
3/4 Undermount Drawer Glides	\$.28.00 per drawer
Full Ext. Ball Bearing Glides	\$.28.00 per drawer
Soft Close Glides	\$.100.00 per drawer
Upgraded 5/8 Maple Drw Box	\$.80.00 per drawer

Provincial Designer Vanities

172

Designer Vanities



- Accomodates Vessel Sinks
- One false drawer front
- Specify hinge left or hinge right

Item No.	Width	Height	Depth	Doors
WC_2T5013	21"	30 1/2"	21"	1



- One false drawer front
- Specify hinge left or hinge right

Item No.	Width	Height	Depth	Doors
WC_2T5001	21"	34 1/2"	21"	1



- One false drawer front

Item No.	Width	Height	Depth	Doors
WC_2T5002	24"	34 1/2"	21"	2
WC_2T5003	30"	34 1/2"	21"	2



- Two false drawer fronts

Item No.	Width	Height	Depth	Doors
WC_2T5004	36"	34 1/2"	21"	2



- Three false drawer fronts

Item No.	Width	Height	Depth	Doors
WC_2T5005	42"	34 1/2"	21"	4
WC_2T5006	48"	34 1/2"	21"	4
WC_2T5007	54"	34 1/2"	21"	4
WC_2T5008	60"	34 1/2"	21"	4

CABINET PRICES	
Item No.	PRICE
WC_2T5013	668
WC_2T5001	728
WC_2T5002	780
WC_2T5003	840
WC_2T5004	952
WC_2T5005	984
WC_2T5006	1048
WC_2T5007	1232
WC_2T5008	1372

PRICE VARIABLES

Unfinished-28%
Stain with GlazeAdd 8%
PaintAdd 8%
Paint with GlazeAdd 15%
Rubbed EdgesAdd 15%
Pine Wood-5%
Oak WoodNo Change
Cherry WoodNo Change
3/4 Undermount Drawer Glides	\$.28.00 per drawer
Full Ext. Ball Bearing Glides	\$.28.00 per drawer
Soft Close Glides	\$.100.00 per drawer
Upgraded 5/8 Maple Drw Box	\$.80.00 per drawer

Provincial Designer Vanities



- One false drawer front
- false drawer front

Item No.	Width	Height	Depth	Drawers	Doors
WC_2T5009	42"	34 1/2"	21"	3	2



- Two false drawer fronts

Item No.	Width	Height	Depth	Drawers	Doors
WC_2T5010	48"	34 1/2"	21"	3	2
WC_2T5011	54"	34 1/2"	21"	3	2
WC_2T5012	60"	34 1/2"	21"	3	2



- Two false drawer fronts

Item No.	Width	Height	Depth	Drawers	Doors
WC_2T5014	54"	34 1/2"	21"	3	4
WC_2T5015	60"	34 1/2"	21"	3	4



- One false drawer front

Item No.	Width	Height	Depth	Drawers	Doors
WC_2T5016	54"	34 1/2"	21"	6	2
WC_2T5017	60"	34 1/2"	21"	6	2

CABINET PRICES	
Item No.	PRICE
WC_2T5009	1460
WC_2T5010	1400
WC_2T5011	1504
WC_2T5012	1612
WC_2T5013	668
WC_2T5014	1656
WC_2T5015	1772
WC_2T5016	1804
WC_2T5017	1932

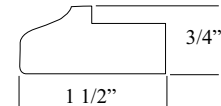
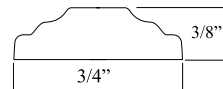
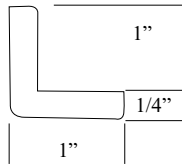
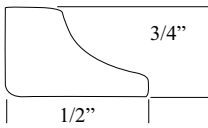
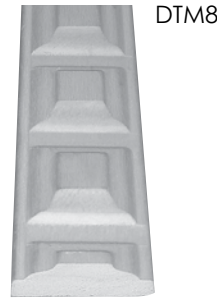
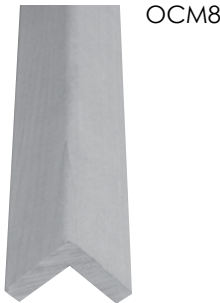
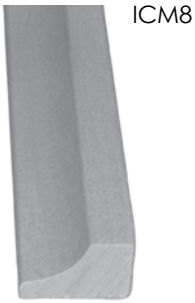
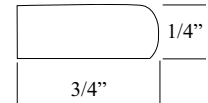
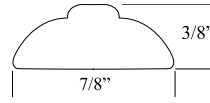
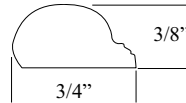
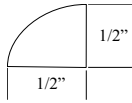
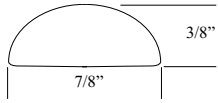
PRICE VARIABLES

Unfinished-28%
Stain with GlazeAdd 8%
PaintAdd 8%
Paint with GlazeAdd 15%
Rubbed EdgesAdd 15%
Pine Wood-5%
Oak WoodNo Change
Cherry WoodNo Change
3/4 Undermount Drawer Glides	\$.28.00 per drawer
Full Ext. Ball Bearing Glides	\$.28.00 per drawer
Soft Close Glides	\$.100.00 per drawer
Upgraded 5/8 Maple Drw Box	\$.80.00 per drawer

Trim

174

Trim



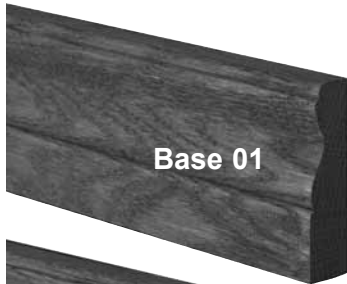
NOTE: All moulding is sold by the foot.

Item No.	Moulding Type	Wimensions	Price
HRM8	Half Round Moulding	3/8"H X 7/8"W X 96"L	48
RPM8	Rope Moulding	3/8"H X 3/4"W X 96"L	118
BTM8	Battan Moulding	3/8"H X 7/8"W X 96"L	48
SCM8	Scribe Moulding	1/4"H X 3/4"W X 96"L	48
ICM8	Inside Corner/Cove Moulding	3/4"H X 1/2"W X 96"L	48
OCM8	Outside Corner Moulding	1"H X 1"W X 1/4"TH X 96"L	95
DTM8	Dentile Moulding	3/8"H X 3/4"W X 96"L	118
UCM8	Under Cabinet Moulding	3/4"H X 1 1/2"W X 96"L	95
Half Round 01	Half Round Moulding	1/2"H x 1/4"W X 96"L	48
Half Round 02	Half Round Moulding	3/4"H x 3/8"W X 96"L	48
QRM8	Quater Round Moulding	1/2"H x 1/2"W X 96"L	48

PRICE VARIABLES

- Unfinished-28%
- Stain with GlazeAdd 8%
- PaintAdd 8%
- Paint with GlazeAdd 15%
- Rubbed EdgesAdd 15%
- Pine Wood-5%
- Oak WoodNo Change
- Cherry WoodNo Change

Base Moulding



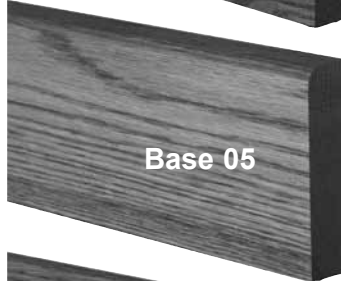
Base 01



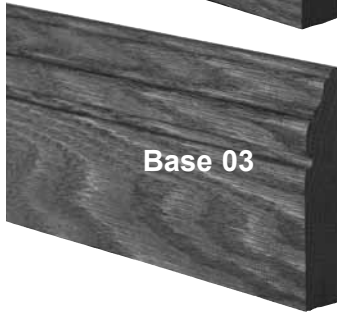
Base 04



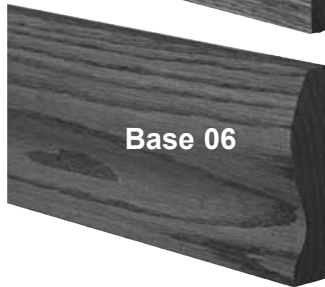
Base 02



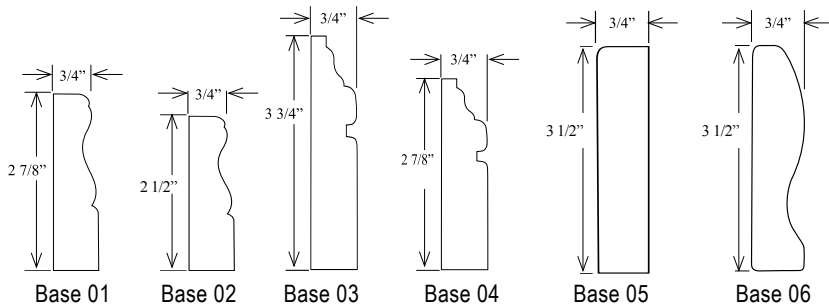
Base 05



Base 03



Base 06



base moulding 01



base moulding 03



base moulding 04



base moulding 05



base moulding 06

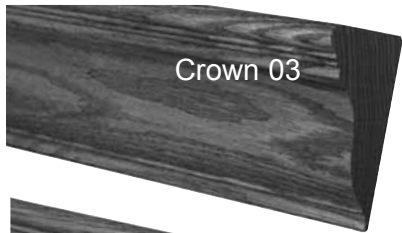
NOTE: All moulding is sold by the foot.

Item No.	Description	Dimensions	Price
BASE01	Base Moulding	2 7/8"H X 3/4"TH X 96"L	198
BASE02	Base Moulding	2 1/2"H X 3/4"TH X 96"L	198
BASE03	Base Moulding	3 3/4"H X 3/4"TH X 96"L	198
BASE04	Base Moulding	2 7/8"H X 3/4"TH X 96"L	156
BASE05	Base Moulding	3 1/2"H X 3/4"TH X 96"L	198
BASE06	Base Moulding	3 1/2"H X 3/4"TH X 96"L	156

PRICE VARIABLES

Unfinished-28%
Stain with GlazeAdd 8%
PaintAdd 8%
Paint with GlazeAdd 15%
Rubbed EdgesAdd 15%
Pine Wood-5%
Oak WoodNo Change
Cherry WoodNo Change

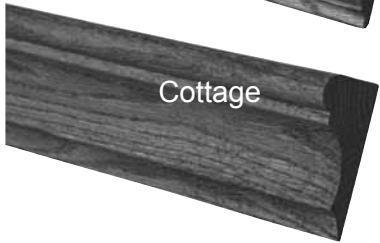
Crown Moulding



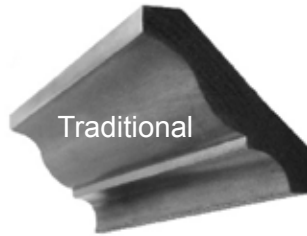
Crown 03



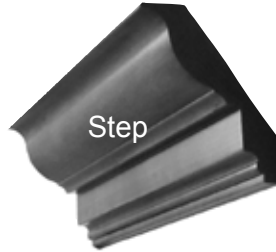
Deluxe



Cottage



Traditional



Step



Modern



Crown Moulding 03



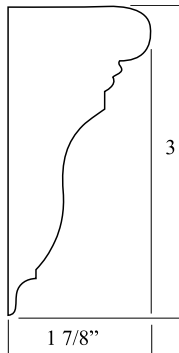
CMD Deluxe



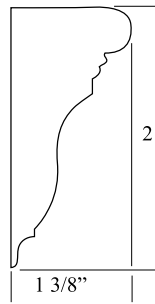
CMC Cottage



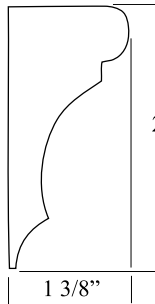
CMT Modern



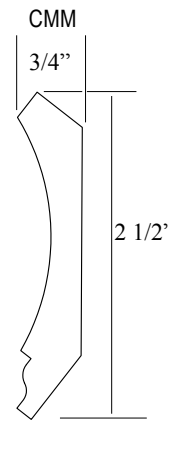
Crown 03



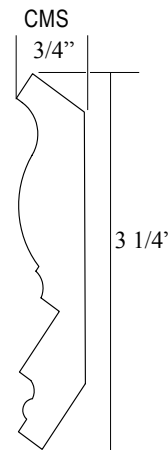
Deluxe 01



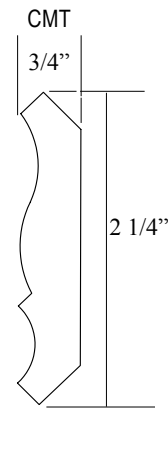
Cottage 02



CMM



CMS



CMT

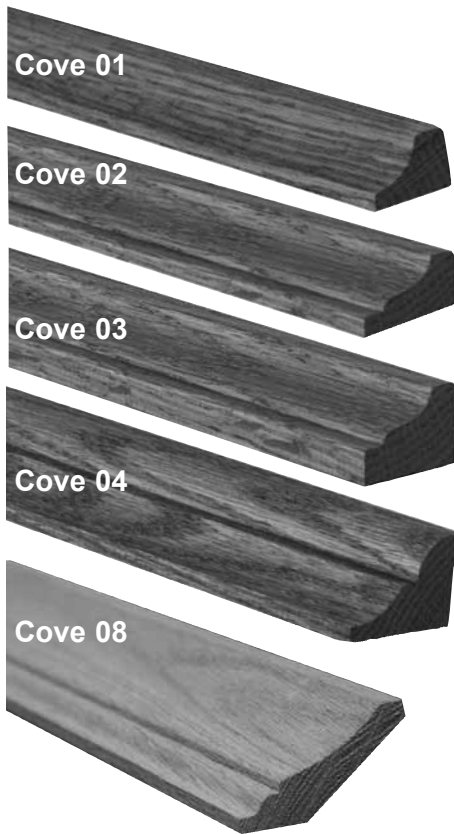
PRICE VARIABLES

Unfinished	-28%
Stain with GlazeAdd 8%
PaintAdd 8%
Paint with GlazeAdd 15%
Rubbed EdgesAdd 15%
Pine Wood5%
Oak Wood	No Change
Cherry Wood	No Change

Item No.	Description	Dimensions	Price
CMD8	Deluxe Crown Moulding	2 3/4"H X 1 3/8"TH X 96"L	189
CMC8	Cottage Crown Moulding	2 3/4"H X 1 3/8"TH X 96"L	189
CROWN 03	Crown Moulding	3 1/4"H X 1 7/8"TH X 96"L	210
CMT8	Traditional Crown Moulding	2 1/4"H X 3/4"TH X 96"L	149
CMM8	Modern Crown Moulding	2 1/2"H X 3/4"TH X 96" L	149
CMS8	Step Crown Moulding	3 1/4"H X 3/4"TH X 96"L	189

NOTE: All moulding is sold by the foot.

Cove Moulding



top cove moulding 01



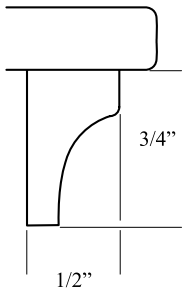
top cove moulding 02



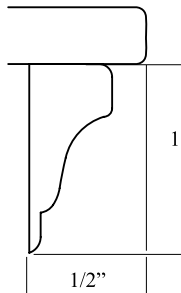
top cove moulding 03



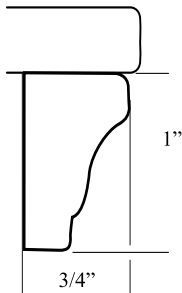
top cove moulding 04



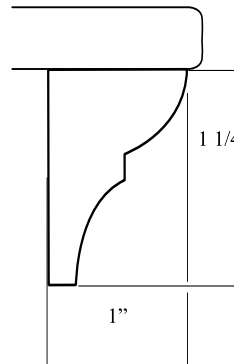
Cove 01



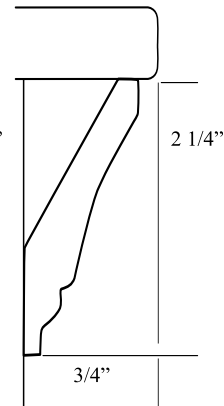
Cove 02



Cove 03



Cove 04



Cove 08

PRICE VARIABLES

Unfinished	-28%
Stain with GlazeAdd 8%
PaintAdd 8%
Paint with GlazeAdd 15%
Rubbed EdgesAdd 15%
Pine Wood	-5%
Oak Wood	No Change
Cherry Wood	No Change

Item No.	Description	Dimensions	Price
COVE01	Cottage Cove Moulding	3/4"H X 1/2"TH X 96"L	48
COVE02	Vintage Cove Moulding	1"H X 1/2"TH X 96"L	58
COVE03	Classic Cove Moulding	1"H X 3/4"TH X 96"L	58
COVE04	Harvard Cove Moulding	1 1/4"H X 1"TH X 96"L	65
COVE08	Georgetown Cove Moulding	2 1/4"H X 3/4"TH X 96"L	98










NOTE: All moulding is sold by the foot.

Hardware: Pulls





NOTE: All decorative hardware is an optional accessory purchase.

178

Hardware: Pulls

Pulls	Description	Price
	HD-1089 Brushed Nickel Cup	\$8.00/ea.
	HD-1090 Antique Brass Cup	\$8.00/ea.
	HD-1091 Pewter Cup	\$8.00/ea.
	HD-1025 Brushed Nickel Pull	\$8.00/ea.
	HD-1027 French Country Pull	\$8.00/ea.
	HD-1119 Brass Bail Pull	\$8.00/ea.
	HD-1194 Georgetown Pull	\$8.00/ea.
	HD-1197 Modern Pull	\$8.00/ea.
	HD-1038 Mission Pull	\$8.00/ea.

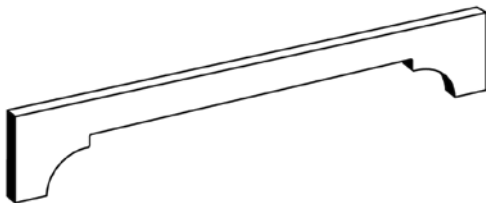
NOTE: All decorative hardware is an optional accessory purchase.

Knobs	Description	Price
	HD-1036 Maple Wood Knob	\$4.00/ea.
	HD-1037 Oak Wood Knob	\$4.00/ea.
	HD-1037c Cherry Wood Knob	\$4.00/ea.
	HD-1092 Antique Brass Knob	\$4.00/ea.
	HD-1028 Polished Brass Knob	\$4.00/ea.
	HD-1080 Brushed Nickel Knob	\$4.00/ea.
	HD-1093 Pewter Knob	\$4.00/ea.
	HD-1026 Pewter Button Knob	\$4.00/ea.
	HD-1031 Traditional Antique Brass Knob	\$4.00/ea.
	HD-1195 Georgetown Knob	\$4.00/ea.
	HD-1198 Contemporary Knob	\$4.00/ea.

Classic & Mission Valances

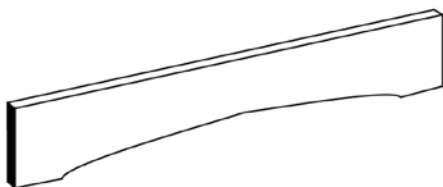
180

Valances



Classic Valance

Item No.	Length	Height	Thick	Price
VF24	24"	5"	3/4"	84
VF30	30"	5"	3/4"	95
VF36	36"	5"	3/4"	113
VF42	42"	5"	3/4"	129
VF48	48"	5"	3/4"	135



Mission Valance

Item No.	Length	Height	Thick	Price
VM24	24"	3 1/2"	3/4"	84
VM30	30"	3 1/2"	3/4"	95
VM36	36"	3 1/2"	3/4"	113
VM42	42"	3 1/2"	3/4"	129
VM48	48"	3 1/2"	3/4"	135

Scalloped, Straight & Arched Valances



Scalloped Valance

Item No.	Length	Height	Thick	Price
VL24	24"	3 1/2"	3/4"	84
VL30	30"	3 1/2"	3/4"	95
VL36	36"	3 1/2"	3/4"	113
VL42	42"	3 1/2"	3/4"	129
VL48	48"	3 1/2"	3/4"	135



Straight Valance

Item No.	Length	Height	Thick	Price
VS24	24"	3 1/2"	3/4"	79
VS30	30"	3 1/2"	3/4"	89
VS36	36"	3 1/2"	3/4"	108
VS42	42"	3 1/2"	3/4"	121
VS48	48"	3 1/2"	3/4"	127



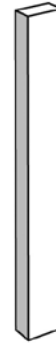
Arched Valance

Item No.	Length	Height	Thick	Price
VA24	24"	3 1/2"	3/4"	84
VA30	30"	3 1/2"	3/4"	95
VA36	36"	3 1/2"	3/4"	113
VA42	42"	3 1/2"	3/4"	129
VA48	48"	3 1/2"	3/4"	134

PRICE VARIABLES

Unfinished-28%
Stain with GlazeAdd 8%
PaintAdd 8%
Paint with GlazeAdd 15%
Rubbed EdgesAdd 15%
Pine Wood-5%
Oak WoodNo Change
Cherry WoodNo Change

Filler Strips



Filler Strip

Filler Strips

Item No.	Width	Height	Thick	Price
WF1803	3"	18"	3/4"	50
WF1806	6"	18"	3/4"	55
WF2403	3"	24"	3/4"	61
WF2406	6"	24"	3/4"	67
WF3003	3"	30"	3/4"	69
WF3006	6"	30"	3/4"	76
WF3603	3"	36"	3/4"	82
WF3606	6"	36"	3/4"	90
WF4203	3"	42"	3/4"	98
WF4206	6"	42"	3/4"	108

Tall Filler Strips

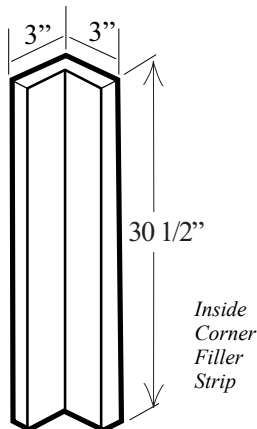
Item No.	Width	Height	Thick	Price
TF8403	3"	84"	3/4"	133
TF8406	6"	84"	3/4"	146
TF9003	3"	90"	3/4"	152
TF9006	6"	90"	3/4"	167
TF9603	3"	96"	3/4"	197
TF9606	6"	96"	3/4"	217

Base Filler Strips

Item No.	Width	Height	Thick	Price
BF303	3"	30"	3/4"	66
BF306	6"	30"	3/4"	73

PRICE VARIABLES

Unfinished	-28%
Stain with Glaze	Add 8%
Paint	Add 8%
Paint with Glaze	Add 15%
Rubbed Edges	Add 15%
Pine Wood	-5%
Oak Wood	No Change
Cherry Wood	No Change



Inside Corner Filler Strips

Item No.	Width	Height	Thick	Price
WFIC1803	3"	18"	3/4"	111
WFIC2403	3"	24"	3/4"	148
WFIC3003	3"	30"	3/4"	167
WFIC3603	3"	36"	3/4"	200
WFIC4203	3"	42"	3/4"	238

Tall Inside Corner Filler Strips

Item No.	Width	Height	Thick	Price
TFIC8403	3"	84"	3/4"	293
TFIC9003	3"	90"	3/4"	335
TFIC9603	3"	96"	3/4"	414

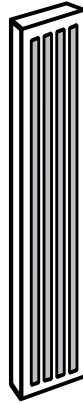
Base Inside Corner Filler Strips

Item No.	Width	Height	Thick	Price
BFIC03	3"	30"	3/4"	161

PRICE VARIABLES

Unfinished-28%
Stain with GlazeAdd 8%
PaintAdd 8%
Paint with GlazeAdd 15%
Rubbed EdgesAdd 15%
Pine Wood-5%
Oak WoodNo Change
Cherry WoodNo Change

Fluted Filler Strips



Fluted Filler

Fluted Filler

Item No.	Width	Height	Thick	Price
WFF1803	3"	18"	3/4"	63
WFF1806	6"	18"	3/4"	69
WFF2403	3"	24"	3/4"	76
WFF2406	6"	24"	3/4"	84
WFF3003	3"	30"	3/4"	86
WFF3006	6"	30"	3/4"	95
WFF3603	3"	36"	3/4"	103
WFF3606	6"	36"	3/4"	113
WFF4203	3"	42"	3/4"	123
WFF4206	6"	42"	3/4"	135

Tall Fluted Filler

Item No.	Width	Height	Thick	Price
TFF8403	3"	84"	3/4"	183
TFF8406	6"	84"	3/4"	190
TFF9003	3"	90"	3/4"	209
TFF9006	6"	90"	3/4"	248
TFF9603	3"	96"	3/4"	271
TFF9606	6"	96"	3/4"	298

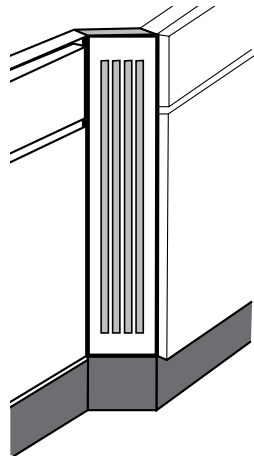
Base Fluted Filler

Item No.	Width	Height	Thick	Price
BFF303	3"	30"	3/4"	83
BFF306	6"	30"	3/4"	91

PRICE VARIABLES

Unfinished	-28%
Stain with Glaze	Add 8%
Paint	Add 8%
Paint with Glaze	Add 15%
Rubbed Edges	Add 15%
Pine Wood	-5%
Oak Wood	No Change
Cherry Wood	No Change

Fluted Angle Filler Strips



Fluted Angle Filler

Fluted Angle Filler

Item No.	Width	Height	Thick	Price
WAFF1803	3"	18"	3/4"	69
WAFF1806	6"	18"	3/4"	76
WAFF2403	3"	24"	3/4"	84
WAFF2406	6"	24"	3/4"	86
WAFF3003	3"	30"	3/4"	95
WAFF3006	6"	30"	3/4"	103
WAFF3603	3"	36"	3/4"	113
WAFF3606	6"	36"	3/4"	123
WAFF4203	3"	42"	3/4"	135
WAFF4206	6"	42"	3/4"	149

Tall Fluted Angle Filler

Item No.	Width	Height	Thick	Price
TAFF8403	3"	84"	3/4"	183
TAFF8406	6"	84"	3/4"	190
TAFF9003	3"	90"	3/4"	209
TAFF9006	6"	90"	3/4"	248
TAFF9603	3"	96"	3/4"	271
TAFF9606	6"	96"	3/4"	298

Fluted Angle Base Filler

Item No.	Width	Height	Thick	Price
BAFF03	3"	30"	3/4"	91
BAFF306	6"	30"	3/4"	100

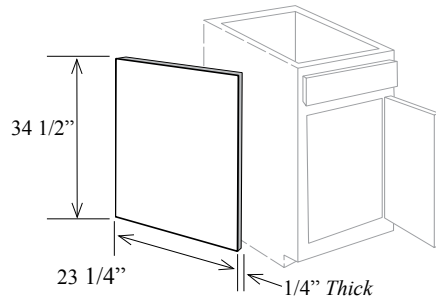
PRICE VARIABLES

Unfinished-28%
Stain with GlazeAdd 8%
PaintAdd 8%
Paint with GlazeAdd 15%
Rubbed EdgesAdd 15%
Pine Wood-5%
Oak Wood No Change
Cherry Wood No Change

End Skins

186

End Skins



End Skin

End Skins

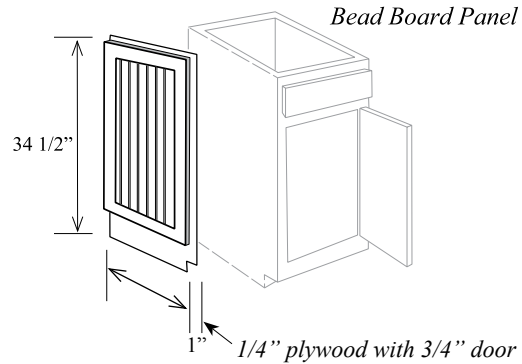
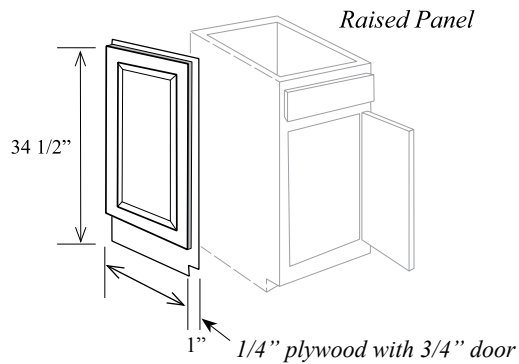
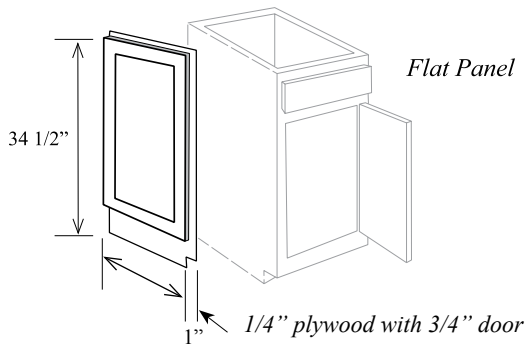
Item No.	Width	Height	Thick	Price
EPS1	23 1/4"	34 1/2"	1/4"	111
EPS2	11 1/4"	30"	1/4"	48
EPS3	11 1/4"	36"	1/4"	58
EPS4	11 1/4"	42"	1/4"	67
EPS5	14 1/4"	30"	1/4"	60
EPS6	14 1/4"	36"	1/4"	72
EPS7	14 1/4"	42"	1/4"	84

Tall End Skins

Item No.	Width	Height	Thick	Price
EPS8	23 1/4"	84"	1/4"	214
EPS9	23 1/4"	90"	1/4"	263
EPS10	23 1/4"	96"	1/4"	313

PRICE VARIABLES

Unfinished	-28%
Stain with Glaze	Add 8%
Paint	Add 8%
Paint with Glaze	Add 15%
Rubbed Edges	Add 15%
Pine Wood	-5%
Oak Wood	No Change
Cherry Wood	No Change



Note: Order matching end panels by door style name.

Matching End Panels

Item No.	Width	Height	Thick	Price
MEP1	23 1/4"	34 1/2"	1/4" plywood / 3/4" door	385
MEP2	11 1/4"	30"	1/4" plywood / 3/4" door	190
MEP3	11 1/4"	36"	1/4" plywood / 3/4" door	225
MEP4	11 1/4"	42"	1/4" plywood / 3/4" door	260
MEP5	14 1/4"	30"	1/4" plywood / 3/4" door	228
MEP6	14 1/4"	36"	1/4" plywood / 3/4" door	269
MEP7	14 1/4"	42"	1/4" plywood / 3/4" door	311

Matching Tall End Panels

Item No.	Width	Height	Thick	Price
MTEP8	23 1/4"	84"	1/4" plywood / 3/4" door	526
MTEP9	23 1/4"	90"	1/4" plywood / 3/4" door	576
MTEP10	23 1/4"	96"	1/4" plywood / 3/4" door	623

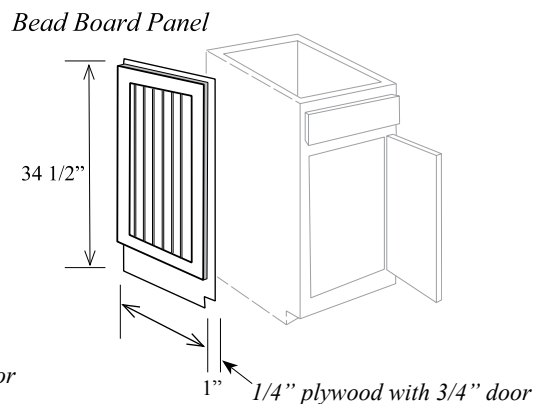
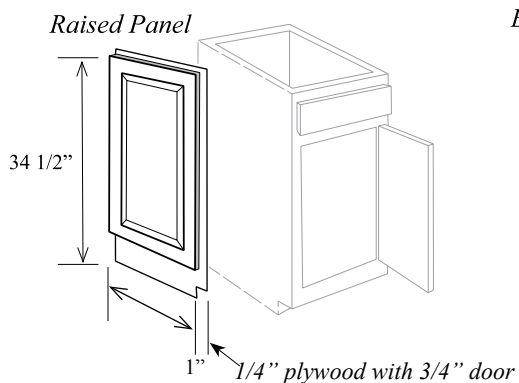
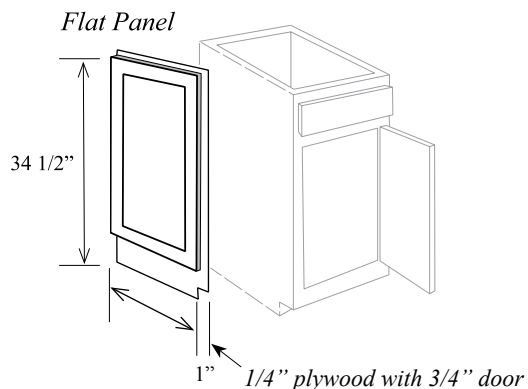
PRICE VARIABLES

Unfinished	-28%
Stain with Glaze	Add 8%
Paint	Add 8%
Paint with Glaze	Add 15%
Rubbed Edges	Add 15%
Pine Wood	-5%
Oak Wood	No Change
Cherry Wood	No Change

Vanity End Panels & Skins

188

Vanity End Panels & Skins



Note: Order matching end panels by door style name.

Vanity End Panels

Item No.	Width	Height	Thick	Price
MEPV1	20 1/4"	31 1/2"	1/4"	380
MEPV2	20 1/4"	34 1/2"	1/4"	395

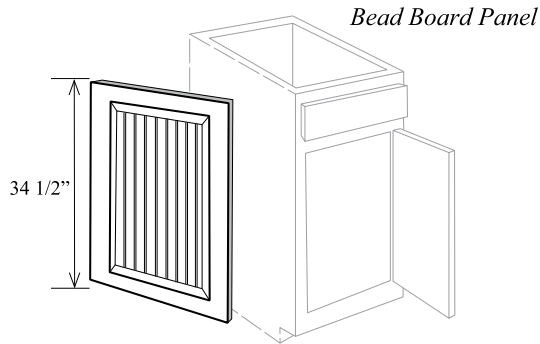
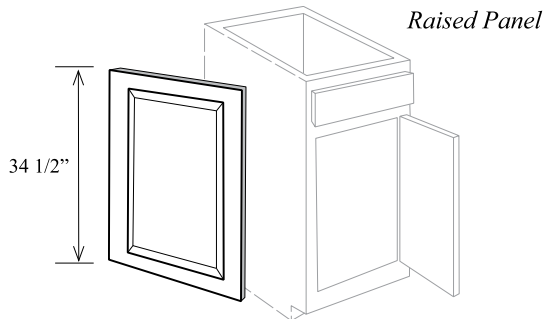
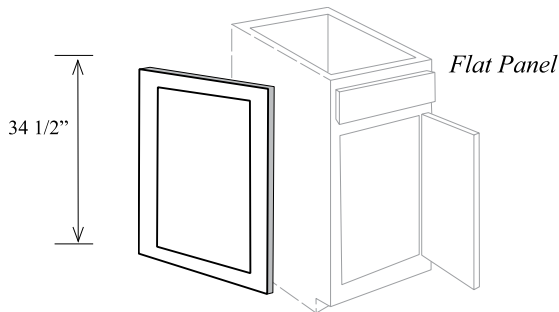
PRICE VARIABLES

Wood

Maple Wood No Change
 Oak Wood No Change
 Cherry Wood No Change

Finish

Stain with Glaze Add 8%
 Paint. Add 8%
 Paint with Glaze Add 15%
 Rubbed Edges Add 15%
 Unfinished -28%



Note: Order matching end panels by door style name.

Matching End Panels

Item No.	Width	Height	Thick	Price
EPDR1	24"	34 1/2"	3/4" panel	398
EPDR2	12"	30"	3/4" panel	197
EPDR3	12"	36"	3/4" panel	233
EPDR4	12"	42"	3/4" panel	269
EPDR5	15"	30"	3/4" panel	236
EPDR6	15"	36"	3/4" panel	278
EPDR7	15"	42"	3/4" panel	322

Matching Tall End Panels

Item No.	Width	Height	Thick	Price
EPDR8	24"	84"	3/4" panel	544
EPDR9	24"	90"	3/4" panel	598
EPDR10	24"	96"	3/4" panel	644

PRICE VARIABLES

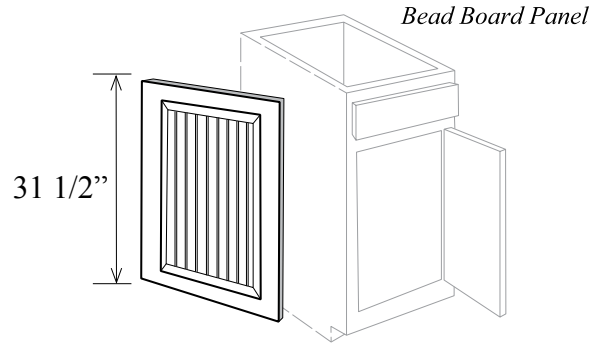
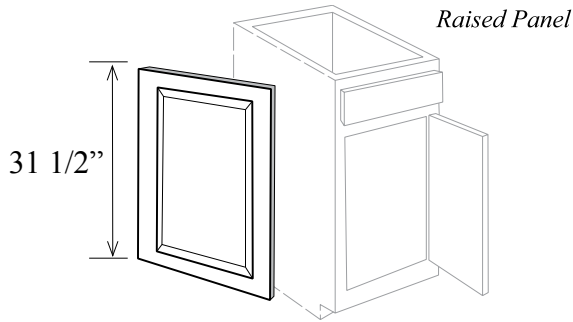
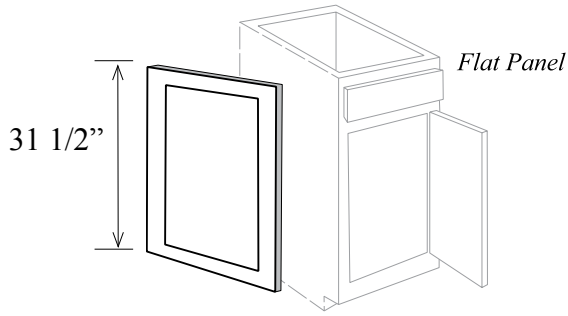
Wood

- Maple Wood No Change
- Oak Wood No Change
- Cherry Wood No Change

Finish

- Stain with Glaze Add 8%
- Paint Add 8%
- Paint with Glaze Add 15%
- Rubbed Edges Add 15%
- Unfinished -28%

Vanity End Panels



Note: Order matching end panels by door style name.

Matching End Panels

Item No.	Width	Height	Thick	Price
EPDRV1	21"	31 1/2"	3/4" panel	380
EPDRV2	21"	34 1/2"	3/4" panel	390

Matching Tall End Panels

Item No.	Width	Height	Thick	Price
EPDRV8	21"	84"	3/4" panel	535
EPDRV9	21"	90"	3/4" panel	585
EPDRV10	21"	96"	3/4" panel	630

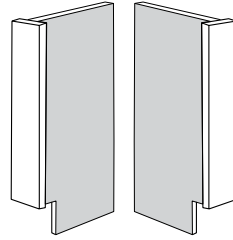
PRICE VARIABLES

Unfinished	-28%
Stain with Glaze	Add 8%
Paint	Add 8%
Paint with Glaze	Add 15%
Rubbed Edges	Add 15%
Pine Wood	-5%
Oak Wood	No Change
Cherry Wood	No Change

Appliance End Panels & Corbels



Refridgerator End Panel



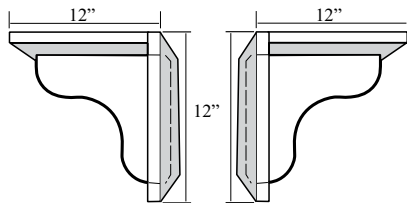
Dishwasher End Panels

Dishwasher End Panels

Item No.	Thick	Height	Depth	Price
DWL1	1 1/2"	34 1/2"	24"	<i>left</i> 134
DWL3	3"	34 1/2"	24"	<i>left</i> 142
DWR1	1 1/2"	34 1/2"	24"	<i>right</i> 134
DWR3	3"	34 1/2"	24"	<i>right</i> 142

Refrigerator End Panels

Item No.	Thick	Height	Depth	Price
RF1	1 1/2"	84"	24"	363
RF13	3"	84"	24"	384
RF2	1 1/2"	96"	24"	404
RF23	3"	96"	24"	428
RF3	1 1/2"	90"	24"	387
RF33	3"	90"	24"	406



Item No.	Width	Height	Depth	Price
CORBEL01	12"	12"	11"	133 each

PRICE VARIABLES

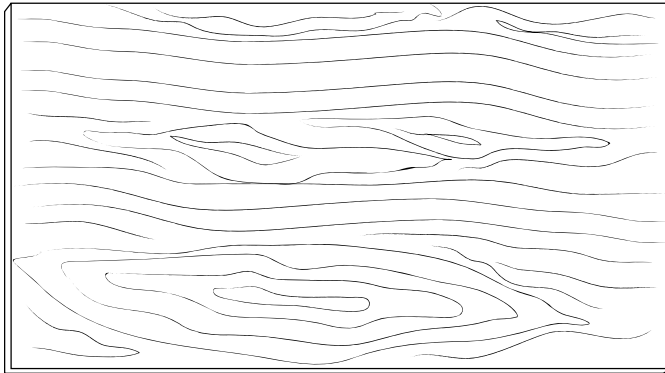
- Unfinished-28%
- Stain with GlazeAdd 8%
- PaintAdd 8%
- Paint with GlazeAdd 15%
- Rubbed EdgesAdd 15%
- Pine Wood-5%
- Oak WoodNo Change
- Cherry WoodNo Change

Plywood Sheets

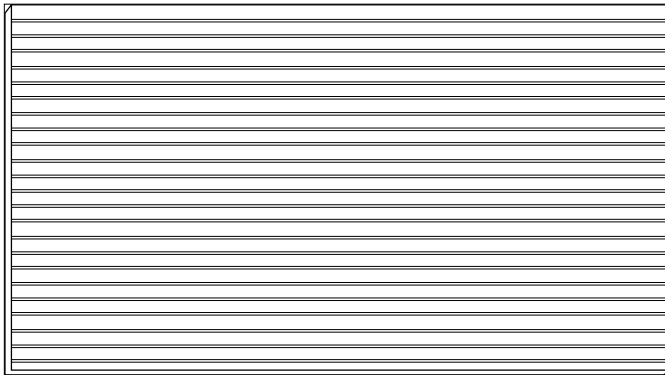
192

Toe-kick & Plywood Sheets

Standard Plywood Sheet



Beadboard Sheet



Item No.	Description	Dimensions	Price
PLY144896	1/4" Plywood Sheets	96"l x 48"w x 1/4"	\$235.20
PLY124896	1/2" Plywood Sheets	96"l x 48"w x 1/2"	\$352.80
PLY344896	3/4" Plywood Sheets	96"l x 48"w x 3/4"	\$294.00
PLY144896BB	1/4" Beadboard Sheets	96"l x 48"w x 1/4"	\$294.00
TK8	1/4" Toekick Cover	96"l x 4 1/2"w x 1/4"	\$56.00

PRICE VARIABLES

Unfinished	- 28%
Stain with Glaze	+ 8%
Paint	+ 8%
Paint with Glaze	+ 15%
Pine Wood	- 5%